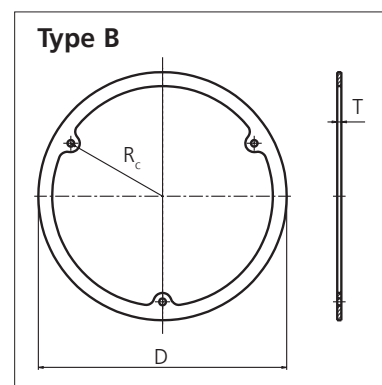
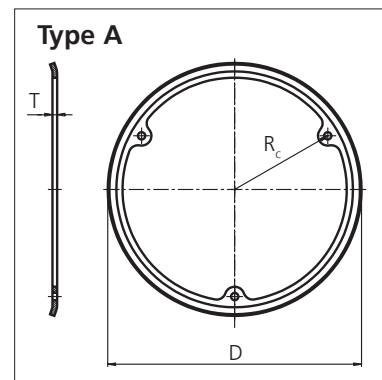


# Accessories

## uni Guide Rings

No of teeth	Overall diameter D		Clamping diameter radius R <sub>c</sub>		Thickness of ring T		Shape of ring Type
	mm	in	mm	in	mm	in	
17	104.4	4.11	39.7	1.56	1.5	0.06	A
18	104.4	4.11	39.7	1.56	1.5	0.06	A
19	116.3	4.58	45.5	1.79	3.0	0.12	A
20	116.3	4.58	45.5	1.79	3.0	0.12	A
21	129.3	5.10	53.0	2.09	3.0	0.12	A
22	129.3	5.10	53.0	2.09	3.0	0.12	A
23	141.2	5.56	57.0	2.24	3.0	0.12	A
24	141.2	5.56	57.0	2.24	3.0	0.12	A
25	153.2	6.03	63.6	2.50	3.0	0.12	A
26	153.2	6.03	63.6	2.50	3.0	0.12	A
27	165.2	70.0	70.0	2.76	3.0	0.12	A
28	165.2	70.0	70.0	2.76	3.0	0.12	A
29	178.3	76.0	76.0	2.99	3.0	0.12	B
30	178.3	76.0	76.0	2.99	3.0	0.12	B
31	190.5	82.0	82.0	3.23	3.0	0.12	B
32	190.5	82.0	82.0	3.23	3.0	0.12	B



STANDARD

The sprockets for the steel chains uni 810/812/815/800/802/805 can be supplied with guide rings if the drive sprockets are to guide the chain.

All guide rings are supplied with 3 clamping holes  $\varnothing$  4.8 mm (0.19 in).

<b>Standard material</b>	DIN 1.0120
--------------------------	------------

Any questions? Please contact us.

**Morskate Aandrijvingen BV**

Oosterveldsingel 47A  
7558 PJ Hengelo (Ov)  
The Netherlands

**NL**

T +31 (0)74 - 760 11 11  
info@morskateaandrijvingen.nl  
www.morskateaandrijvingen.nl

**DE**

T +49 692 - 222 34 95  
info@morskateantriebstechnik.de  
www.morskateantriebstechnik.de

**EN**

T +31 (0)74 - 760 11 11  
info@morskatedrivetechnology.com  
www.morskatedrivetechnology.com