

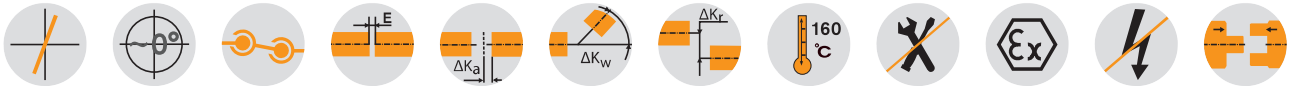
COUNTEX®

Backlash-free shaft encoder couplings

Double-cardanic for measuring drives



For legend of pictogram please refer to flapper on the cover



COUNTEX® - Hub material aluminium/spacer PEEK

Size	Torque [Nm]		Finish bore d		Dimensions [mm]				Displacements			Torsion spring stiffness C_T [Nm/rad]	Radial stiffness C_r [N/mm]	Axial restoring force F_A [N]
	T_{KN}	T_{Kmax}	Min.	Max.	D	l_1, l_2	E	L	Radial ΔK_r [mm]	Axial ΔK_a [mm]	Angular ΔK_w [degree]			
6	0.3	0.6	2	6	15	4	4	12	0.05	-0.3/+0.6	0.36	48	26	10
12	0.5	1.0	2	12	22	6	3.5	15.5	0.10	-0.5/+1.0	0.45	120	65	25
14	1.0	2.0	5	14	31	8	4	20	0.12	-0.5/+1.0	0.57	235	70	27

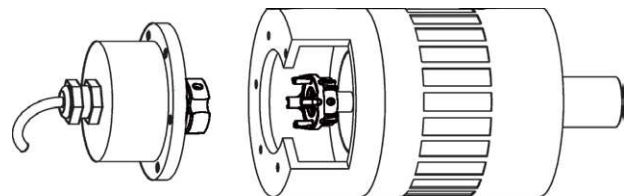
General description

COUNTEX® is a three-part, backlash-free and torsionally stiff coupling specifically developed for the demands in measuring and control technology. Its axial plug-in ability combined with the geometry of hubs results in a coupling system with short dimensions, easy to assemble. The material of the spacer is resistant to high temperatures ensuring almost continuous properties of the coupling system even with temperatures up to 160 °C.

Applications

The measuring and control technology demands for high torsion spring stiffness of the coupling in order to implement reproducible positioning. At the same time the coupling has to compensate for displacements without any big forces causing stresses on the adjacent filigree components.

With its spacer made of high-temperature resistant nylon our COUNTEX® ensures almost constant torsion spring stiffness even with high temperatures. The double-cardanic principle of COUNTEX® reduces the restoring forces to a minimum. Nevertheless it has very compact dimensions which make it excellently suitable for tight mounting spaces.

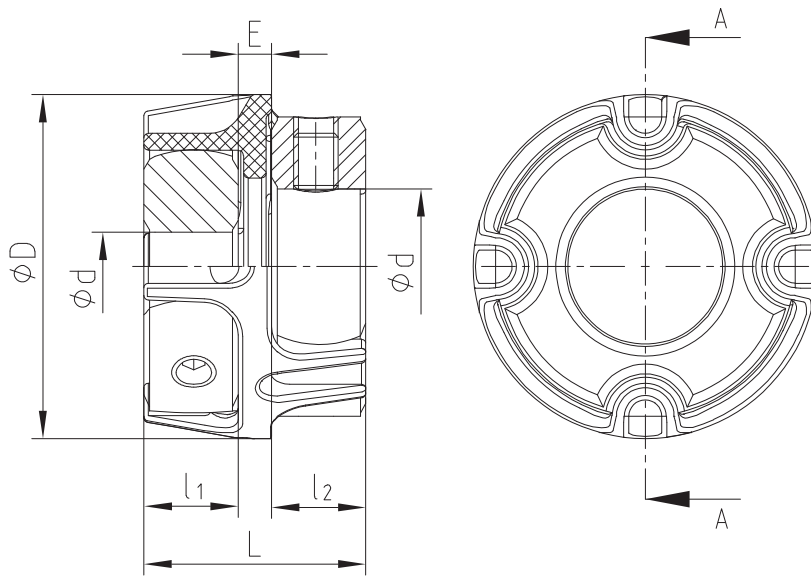


Use in potentially explosive atmospheres

COUNTEX® couplings are suitable for positioning transmission in drives used in potentially explosive atmospheres. The couplings are assessed and approved as units of category 2G/2D according to EU directive 2014/34/EU and thus suitable for the use in potentially explosive atmospheres of zone 1, 2, 21 and 22. Please read through our information included in the respective type examination certificate and the operating and assembly instructions at www.ktr.com.



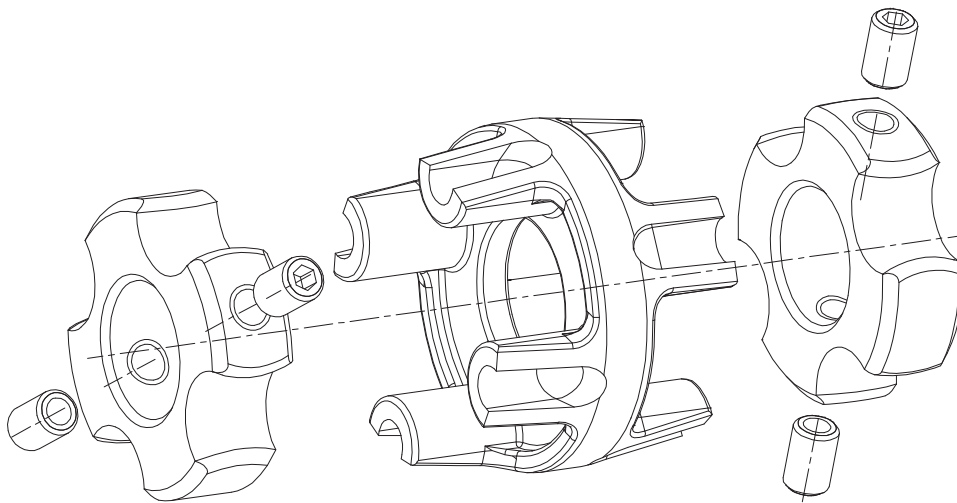
Ordering example:	COUNTEX® 14	1.1 - Ø6.35		1.1 - Ø10	
	Coupling size	Hub type	Finish bore d ₁	Hub type	Finish bore d ₂



ROTEX® GS

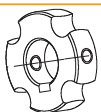
TOOLFLEX®

Backlash-free
servo couplings



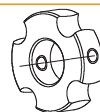
RADEX®-NC

Types of hubs



Type 1.0
with feather keyway and setscrew

Positive-locking power transmission. Permissible torque depending on the permissible surface pressure. Not suitable for backlash-free power transmission with heavily reversing operation.



Type 1.1
without feather keyway, with setscrew

Non-positive torque transmission. Suitable for backlash-free transmission of very low torques.
Standard



Type 1.3
with spline bore

Positive-locking power transmission. Spline on request of customers (e. g. for shaft with flattening).



Type 1.2
without feather keyway, without setscrew

For low torques. Suitable for bonding or pressing on the shaft.

COUNTEX®