



CODICE - CODE		descrizione description	DIMENSIONI PRINCIPALI - MAIN DIMENSIONS						CARICO STATICO STATIC LOAD NEWTON	
standard - standard			A	B	D		F	G		H
30825		M8X25	14	25	Ø 30	14	M8	8	39	8000
30850		M8X50	14	50	Ø 30	14	M8	8	64	8000
301025		M10X25	14	25	Ø 30	14	M10	8	39	8000
301050		M10X50	14	50	Ø 30	14	M10	8	64	8000
301075		M10X75	14	75	Ø 30	14	M10	8	89	8000

CODICE - CODE		descrizione description	DIMENSIONI PRINCIPALI - MAIN DIMENSIONS							CARICO STATICO STATIC LOAD NEWTON	
standard standard	antiscivolo antislip		A	B	D		F	G	H		H1
38825	38825/G	M8X25	14	25	Ø 40	14	M8	8	39	42	9000
38850	38850/G	M8X50	14	50	Ø 40	14	M8	8	64	67	9000
381025	381025/G	M10X25	14	25	Ø 40	14	M10	8	39	42	9000
381050	381050/G	M10X50	14	50	Ø 40	14	M10	8	64	67	9000
381075	381075/G	M10X75	14	75	Ø 40	14	M10	8	89	92	9000
381250	381250/G	M12X50	14	50	Ø 40	14	M12	8	64	67	9000
3812100	3812100/G	M12X100	14	100	Ø 40	14	M12	8	114	117	9000

- *Stainless steel base in 1.4301 (1.4401 on specific request). Black non-skid plate in NBR rubber 90 shore. Stainless steel screw in 1.4301 (1.4401 on specific request). The leveling element could be supplied, on request, with steel nut.*
- *Load values above mentioned have to be considered referring to static conditions calculated at the half of the screw length. In conditions of vibrations or in presence of dynamic loads these values should be reduced. For further information consult our technical office. We cannot accept responsibility for mounts that have been tampered or modified*

Any questions? Please contact us.

Morskate Aandrijvingen BV

Oosterveldsingel 47A
 7558 PJ Hengelo (Ov)
 The Netherlands

NL

T +31 (0)74 - 760 11 11
 info@morskateaanrijvingen.nl
 www.morskateaanrijvingen.nl

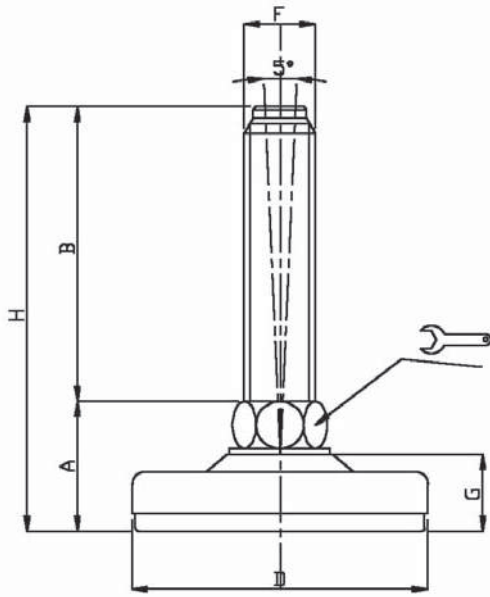
DE


T +49 692 - 222 34 95
 info@morskateantriebstechnik.de
 www.morskateantriebstechnik.de

EN

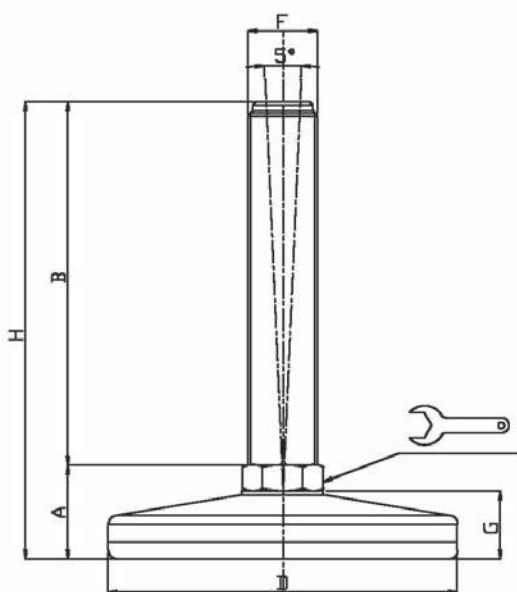
T +31 (0)74 - 760 11 11
 info@morskatedrivetechnology.com
 www.morskatedrivetechnology.com


BASE INOX Ø 50 CON STELO SNODATO INOX 5° - MEDIA PORTATA
STAINLESS STEEL BASE Ø 50 WITH ARTICULATED STAINLESS STEEL SCREW 5° -MEDIUM LOAD-



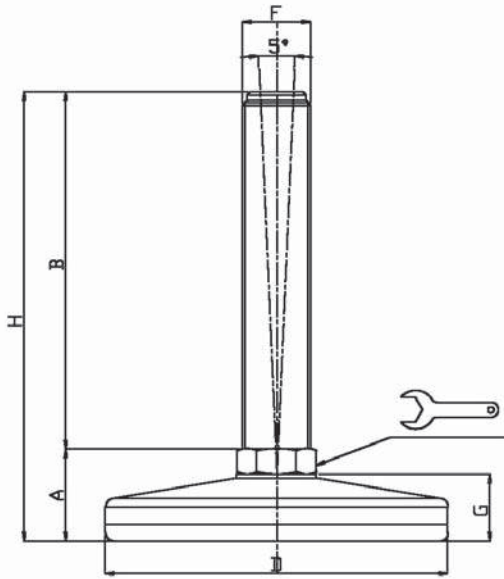
CODICE - CODE antiscivolo - antislip	descrizione description	DIMENSIONI PRINCIPALI - MAIN DIMENSIONS							CARICO STATICO STATIC LOAD NEWTON
		A	B	D		F	G	H	
15000/50	M10X25	23	25	Ø 50	14	M10	13	48	12000
15001/50	M10X50	23	50	Ø 50	14	M10	13	73	12000
15002/50	M10X75	23	75	Ø 50	14	M10	13	98	12000
15003/50	M10X100	23	100	Ø 50	14	M10	13	123	12000
15004/50	M12X25	23	25	Ø 50	14	M12	13	48	12000
15005/50	M12X50	23	50	Ø 50	14	M12	13	73	12000
15006/50	M12X75	23	75	Ø 50	14	M12	13	98	12000
15007/50	M12X100	23	100	Ø 50	14	M12	13	123	12000
15008/50	M12X125	23	125	Ø 50	14	M12	13	148	12000
15009/50	M14X50	23	50	Ø 50	14	M14	13	73	12000
15010/50	M14X75	23	75	Ø 50	14	M14	13	98	12000
15011/50	M14X100	23	100	Ø 50	14	M14	13	123	12000
15012/50	M14X125	23	125	Ø 50	14	M14	13	148	12000
15013/50	M14X150	23	150	Ø 50	14	M14	13	173	12000


- Stainless steel base in 1.4301 (1.4401 on specific request). Leveling element supplied with black non-skid plate in NBR rubber 70 shore. Stainless steel screw in 1.4301 (1.4401 on specific request). The leveling element could be supplied, on request, with steel nut.
- Load values above mentioned have to be considered referring to static conditions calculated at the half of the screw length. In conditions of vibrations or in presence of dynamic loads these values should be reduced. For further information consult our technical office. We cannot accept responsibility for mounts that have been tampered or modified



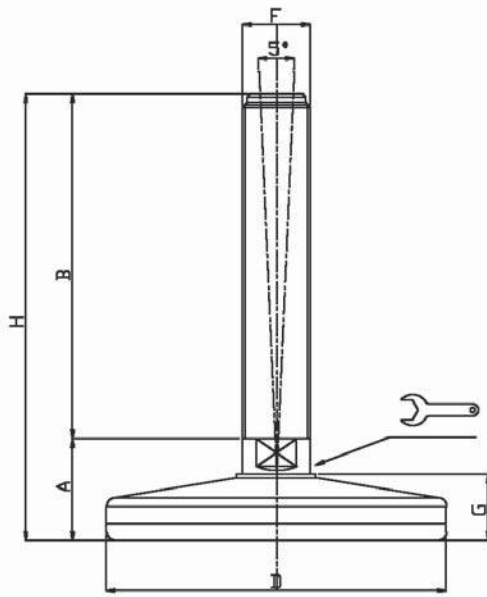
CODICE - CODE antiscivolo - antislip	descrizione description	DIMENSIONI PRINCIPALI - MAIN DIMENSIONS							CARICO STATICO STATIC LOAD NEWTON
		A	B	D		F	G	H	
15000	M10X25	24,5	25	Ø 60	14	M10	17,5	49,5	15000
15001	M10X50	24,5	50	Ø 60	14	M10	17,5	74,5	15000
15002	M10X75	24,5	75	Ø 60	14	M10	17,5	99,5	15000
15003	M10X100	24,5	100	Ø 60	14	M10	17,5	124,5	15000
15004	M12X25	24,5	25	Ø 60	14	M12	17,5	49,5	15000
15005	M12X50	24,5	50	Ø 60	14	M12	17,5	74,5	15000
15006	M12X75	24,5	75	Ø 60	14	M12	17,5	99,5	15000
15007	M12X100	24,5	100	Ø 60	14	M12	17,5	124,5	15000
15008	M12X125	24,5	125	Ø 60	14	M12	17,5	149,5	15000
15009	M14X50	24,5	50	Ø 60	14	M14	17,5	74,5	15000
15010	M14X75	24,5	75	Ø 60	14	M14	17,5	99,5	15000
15011	M14X100	24,5	100	Ø 60	14	M14	17,5	124,5	15000
15012	M14X125	24,5	125	Ø 60	14	M14	17,5	149,5	15000
15013	M14X150	24,5	150	Ø 60	14	M14	17,5	174,5	15000


- *Stainless steel base in 1.4301 (1.4401 on specific request). Leveling element supplied with black non-skid plate in NBR rubber 90 shore. Stainless steel screw in 1.4301 (1.4401 on specific request). The leveling element could be supplied, on request, with steel nut.*
- *Load values above mentioned have to be considered referring to static conditions calculated at the half of the screw length. In conditions of vibrations or in presence of dynamic loads these values should be reduced. For further information consult our technical office. We cannot accept responsibility for mounts that have been tampered or modified*



CODICE - CODE antiscivolo - antislip	descrizione description	DIMENSIONI PRINCIPALI - MAIN DIMENSIONS							CARICO STATICO STATIC LOAD NEWTON
		A	B	D		F	G	H	
15014	M12X50	28	50	Ø 75	14	M12	20	78	20000
15015	M12X75	28	75	Ø 75	14	M12	20	103	20000
15016	M12X100	28	100	Ø 75	14	M12	20	128	20000
15017	M12X125	28	125	Ø 75	14	M12	20	153	20000
15018	M14X50	28	50	Ø 75	14	M14	20	78	20000
15019	M14X75	28	75	Ø 75	14	M14	20	103	20000
15020	M14X100	28	100	Ø 75	14	M14	20	128	20000
15021	M14X125	28	125	Ø 75	14	M14	20	153	20000
15022	M14X150	28	150	Ø 75	14	M14	20	178	20000

- Stainless steel base in 1.4301 (1.4401 on specific request). Levelling element supplied with black non-skid plate in NBR rubber 90 shore. Stainless steel screw in 1.4301 (1.4401 on specific request). The levelling element could be supplied, on request, with steel nut.
- Load values above mentioned have to be considered referring to static conditions calculated at the half of the screw length. In conditions of vibrations or in presence of dynamic loads these values should be reduced. For further information consult our technical office. We cannot accept responsibility for mounts that have been tampered or modified



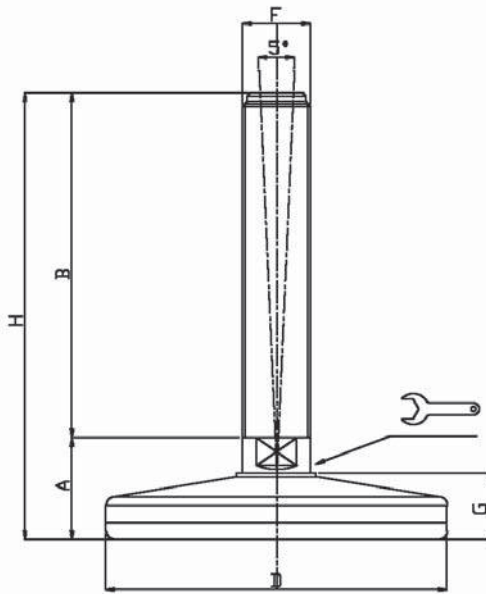
CODICE - CODE antiscivolo - antislip	descrizione description	DIMENSIONI PRINCIPALI - MAIN DIMENSIONS							CARICO STATICO STATIC LOAD NEWTON
		A	B	D		F	G	H	
15023	M16X50	32,5	50	Ø 75	13	M16	20	82,5	20000
15024	M16X75	32,5	75	Ø 75	13	M16	20	107,5	20000
15025	M16X100	32,5	100	Ø 75	13	M16	20	132,5	20000
15026	M16X125	32,5	125	Ø 75	13	M16	20	157,5	20000
15027	M16X150	32,5	150	Ø 75	13	M16	20	182,5	20000
15028	M16X175	32,5	175	Ø 75	13	M16	20	207,5	20000
15029	M20X50	32,5	50	Ø 75	17	M20	20	82,5	20000
15030	M20X75	32,5	75	Ø 75	17	M20	20	107,5	20000
15031	M20X100	32,5	100	Ø 75	17	M20	20	132,5	20000
15032	M20X125	32,5	125	Ø 75	17	M20	20	157,5	20000
15033	M20X150	32,5	150	Ø 75	17	M20	20	182,5	20000
15034	M20X175	32,5	175	Ø 75	17	M20	20	207,5	20000
15035	M20X200	32,5	200	Ø 75	17	M20	20	232,5	20000
15036	M20X225	32,5	225	Ø 75	17	M20	20	257,5	20000

- *Stainless steel base in 1.4301 (1.4401 on specific request). Leveling element supplied with black non-skid plate in NBR rubber 90 shore. Stainless steel screw in 1.4301 (1.4401 on specific request). The leveling element could be supplied, on request, with steel nut.*
- *Load values above mentioned have to be considered referring to static conditions calculated at the half of the screw length. In conditions of vibrations or in presence of dynamic loads these values should be reduced. For further information consult our technical office. We cannot accept responsibility for mounts that have been tampered or modified*


BASE INOX Ø 100 CON STELO SNODATO INOX 5° - MEDIA PORTATA

STAINLESS STEEL BASE Ø 100 WITH ARTICULATED STAINLESS STEEL SCREW 5° -MEDIUM LOAD-

Martin
Leveling Components



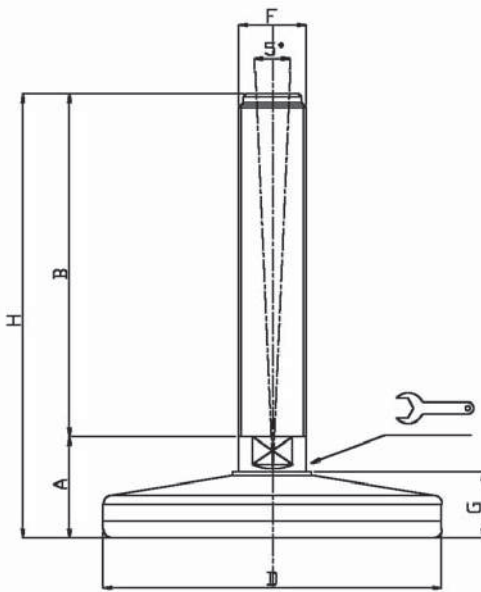
Inox


CODICE - CODE antiscivolo - antislip	descrizione description	DIMENSIONI PRINCIPALI - MAIN DIMENSIONS							CARICO STATICO STATIC LOAD NEWTON
		A	B	D		F	G	H	
15037	M16X50	37	50	Ø 100	17	M16	25	87	30000
15038	M16X75	37	75	Ø 100	17	M16	25	112	30000
15039	M16X100	37	100	Ø 100	17	M16	25	137	30000
15040	M16X125	37	125	Ø 100	17	M16	25	162	30000
15041	M16X150	37	150	Ø 100	17	M16	25	187	30000
15042	M16X175	37	175	Ø 100	17	M16	25	212	30000
15043	M16X200	37	200	Ø 100	17	M16	25	237	30000
15045	M20X50	37	50	Ø 100	17	M20	25	87	30000
15046	M20X75	37	75	Ø 100	17	M20	25	112	30000
15047	M20X100	37	100	Ø 100	17	M20	25	137	30000
15048	M20X125	37	125	Ø 100	17	M20	25	162	30000
15049	M20X150	37	150	Ø 100	17	M20	25	187	30000
15050	M20X175	37	175	Ø 100	17	M20	25	212	30000
15051	M20X200	37	200	Ø 100	17	M20	25	237	30000
15052	M20X225	37	225	Ø 100	17	M20	25	262	30000
15053	M20X250	37	250	Ø 100	17	M20	25	287	30000
15054	M24X75	38	75	Ø 100	20	M24	25	113	30000
15055	M24X100	38	100	Ø 100	20	M24	25	138	30000
15056	M24X125	38	125	Ø 100	20	M24	25	163	30000
* 15057	M24X150	38	150	Ø 100	20	M24	25	188	30000
* 15058	M24X175	38	175	Ø 100	20	M24	25	213	30000
* 15059	M24X200	38	200	Ø 100	20	M24	25	238	30000
15060	M24X225	38	225	Ø 100	20	M24	25	263	30000
15061	M24X250	38	250	Ø 100	20	M24	25	288	30000

* Disponibile con Filettatura a passo fine. Aggiungere "P2" al codice
Available with Thin pitch thread. Please, add "P2" to the code

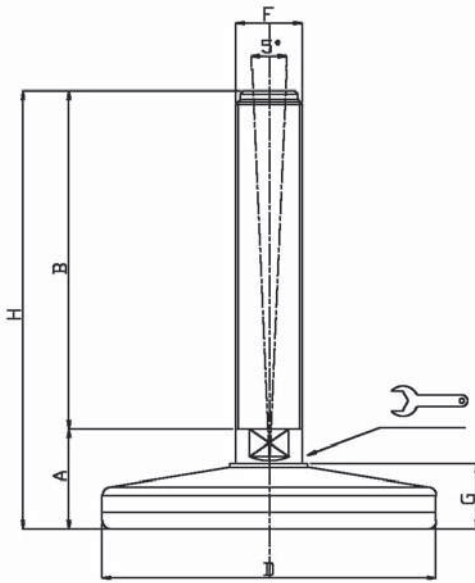
▪ Stainless steel base in 1.4301 (1.4401 on specific request). Leveling element supplied with black non-skid plate in NBR rubber 90 shore. Stainless steel screw in 1.4301 (1.4401 on specific request). The leveling element could be supplied, on request, with steel nut.


▪ Load values above mentioned have to be considered referring to static conditions calculated at the half of the screw length. In conditions of vibrations or in presence of dynamic loads these values should be reduced. For further information consult our technical office. We cannot accept responsibility for mounts that have been tampered or modified



CODICE - CODE antiscivolo - antislip	descrizione description	DIMENSIONI PRINCIPALI - MAIN DIMENSIONS							CARICO STATICO STATIC LOAD NEWTON
		A	B	D		F	G	H	
15062	M16X50	36,5	50	Ø 120	17	M16	24	86,5	40000
15063	M16X75	36,5	75	Ø 120	17	M16	24	111,5	40000
15064	M16X100	36,5	100	Ø 120	17	M16	24	136,5	40000
15065	M16X125	36,5	125	Ø 120	17	M16	24	161,5	40000
15066	M16X150	36,5	150	Ø 120	17	M16	24	186,5	40000
15067	M16X175	36,5	175	Ø 120	17	M16	24	211,5	40000
15068	M16X200	36,5	200	Ø 120	17	M16	24	236,5	40000
15069	M16X225	36,5	225	Ø 120	17	M16	24	261,5	40000
15070	M20X75	36,5	75	Ø 120	17	M20	24	111,5	40000
15071	M20X100	36,5	100	Ø 120	17	M20	24	136,5	40000
15072	M20X125	36,5	125	Ø 120	17	M20	24	161,5	40000
15073	M20X150	36,5	150	Ø 120	17	M20	24	186,5	40000
15074	M20X175	36,5	175	Ø 120	17	M20	24	211,5	40000
15075	M20X200	36,5	200	Ø 120	17	M20	24	236,5	40000
15076	M20X225	36,5	225	Ø 120	17	M20	24	261,5	40000
15077	M20X250	36,5	250	Ø 120	17	M20	24	286,5	40000

- *Stainless steel base in 1.4301 (1.4401 on specific request). Leveling element supplied with black non-skid plate in NBR rubber 90 shore. Stainless steel screw in 1.4301 (1.4401 on specific request). The leveling element could be supplied, on request, with steel nut.*
- *Load values above mentioned have to be considered referring to static conditions calculated at the half of the screw length. In conditions of vibrations or in presence of dynamic loads these values should be reduced. For further information consult our technical office. We cannot accept responsibility for mounts that have been tampered or modified*

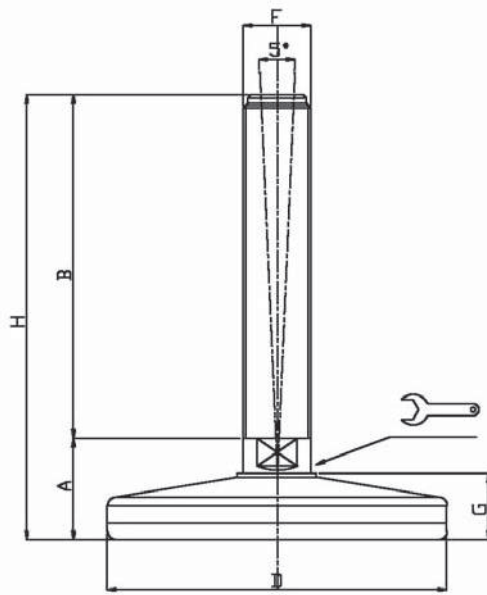



CODICE - CODE antiscivolo - antislip	descrizione description	DIMENSIONI PRINCIPALI - MAIN DIMENSIONS							CARICO STATICO STATIC LOAD NEWTON
		A	B	D		F	G	H	
15078	M24X75	37,5	75	Ø 120	20	M24	24	112,5	40000
15079	M24X100	37,5	100	Ø 120	20	M24	24	137,5	40000
15080	M24X125	37,5	125	Ø 120	20	M24	24	162,5	40000
* 15081	M24X150	37,5	150	Ø 120	20	M24	24	187,5	40000
* 15082	M24X175	37,5	175	Ø 120	20	M24	24	212,5	40000
* 15083	M24X200	37,5	200	Ø 120	20	M24	24	237,5	40000
15084	M24X225	37,5	225	Ø 120	20	M24	24	262,5	40000
15085	M24X250	37,5	250	Ø 120	20	M24	24	287,5	40000
15086	M30X75	37,5	75	Ø 120	26	M30	24	112,5	40000
15087	M30X100	37,5	100	Ø 120	26	M30	24	137,5	40000
15088	M30X125	37,5	125	Ø 120	26	M30	24	162,5	40000
* 15089	M30X150	37,5	150	Ø 120	26	M30	24	187,5	40000
* 15090	M30X175	37,5	175	Ø 120	26	M30	24	212,5	40000
* 15091	M30X200	37,5	200	Ø 120	26	M30	24	237,5	40000
15092	M30X225	37,5	225	Ø 120	26	M30	24	262,5	40000
15093	M30X250	37,5	250	Ø 120	26	M30	24	287,5	40000

* Disponibile con Filettatura a passo fine. Aggiungere **"/P2"** al codice
 Available with Thin pitch thread. Please, add **"/P2"** to the code

▪ Stainless steel base in 1.4301 (1.4401 on specific request). Levelling element supplied with black non-skid plate in NBR rubber 90 shore. Stainless steel screw in 1.4301 (1.4401 on specific request). The levelling element could be supplied, on request, with steel nut.

▪ Load values above mentioned have to be considered referring to static conditions calculated at the half of the screw length. In conditions of vibrations or in presence of dynamic loads these values should be reduced. For further information consult our technical office. We cannot accept responsibility for mounts that have been tampered or modified



CODICE - CODE antiscivolo - antislip	descrizione description	DIMENSIONI PRINCIPALI - MAIN DIMENSIONS							CARICO STATICO STATIC LOAD NEWTON
		A	B	D		F	G	H	
15094	M20X75	39	75	Ø 150	17	M20	26,5	114	50000
15095	M20X100	39	100	Ø 150	17	M20	26,5	139	50000
15096	M20X125	39	125	Ø 150	17	M20	26,5	164	50000
15097	M20X150	39	150	Ø 150	17	M20	26,5	189	50000
15098	M20X175	39	175	Ø 150	17	M20	26,5	214	50000
15099	M20X200	39	200	Ø 150	17	M20	26,5	239	50000
15100	M20X225	39	225	Ø 150	17	M20	26,5	264	50000
15101	M20X250	39	250	Ø 150	17	M20	26,5	289	50000
15102	M24X100	40	100	Ø 150	20	M24	26,5	140	50000
15103	M24X125	40	125	Ø 150	20	M24	26,5	165	50000
* 15104	M24X150	40	150	Ø 150	20	M24	26,5	190	50000
15105	M24X175	40	175	Ø 150	20	M24	26,5	215	50000
* 15106	M24X200	40	200	Ø 150	20	M24	26,5	240	50000
15107	M24X225	40	225	Ø 150	20	M24	26,5	265	50000
15108	M24X250	40	250	Ø 150	20	M24	26,5	290	50000
15109	M30X100	40	100	Ø 150	26	M30	26,5	140	50000
15110	M30X125	40	125	Ø 150	26	M30	26,5	165	50000
* 15111	M30X150	40	150	Ø 150	26	M30	26,5	190	50000
15112	M30X175	40	175	Ø 150	26	M30	26,5	215	50000
* 15113	M30X200	40	200	Ø 150	26	M30	26,5	240	50000
15114	M30X225	40	225	Ø 150	26	M30	26,5	265	50000
15115	M30X250	40	250	Ø 150	26	M30	26,5	290	50000

* Disponibile con Filettatura a passo fine. Aggiungere "IP2" al codice
Available with Thin pitch thread. Please, add "IP2" to the code

- Stainless steel base in 1.4301 (1.4401 on specific request). Leveling element supplied with black non-skid plate in NBR rubber 90 shore. Stainless steel screw in 1.4301 (1.4401 on specific request). The leveling element could be supplied, on request, with steel nut.
- Load values above mentioned have to be considered referring to static conditions calculated at the half of the screw length. In conditions of vibrations or in presence of dynamic loads these values should be reduced. For further information consult our technical office. We cannot accept responsibility for mounts that have been tampered or modified