

CODICE - CODE	descrizione description	DIMENSIONI PRINCIPALI - MAIN DIMENSIONS							CARICO STATICO STATIC LOAD NEWTON
		A	B	D	CH	F	G	H	
24500	M10X50	29	50	Ø 50	14	M10	19	79	4000
24502	M10X75	29	75	Ø 50	14	M10	19	104	4000
24504	M10X100	29	100	Ø 50	14	M10	19	129	4000
24506	M10X125	29	125	Ø 50	14	M10	19	154	4000
24600	M12X50	29	50	Ø 50	14	M12	19	79	4000
24602	M12X75	29	75	Ø 50	14	M12	19	104	4000
24604	M12X100	29	100	Ø 50	14	M12	19	129	4000
24606	M12X125	29	125	Ø 50	14	M12	19	154	4000
24700	M14X75	29	75	Ø 50	14	M14	19	104	4000
24702	M14X100	29	100	Ø 50	14	M14	19	129	4000
24704	M14X125	29	125	Ø 50	14	M14	19	154	4000
24706	M14X150	29	150	Ø 50	14	M14	19	179	4000
24800	M16X75	34	75	Ø 50	13	M16	19	109	4000
24802	M16X100	34	100	Ø 50	13	M16	19	134	4000
24804	M16X125	34	125	Ø 50	13	M16	19	159	4000
24806	M16X150	34	150	Ø 50	13	M16	19	184	4000

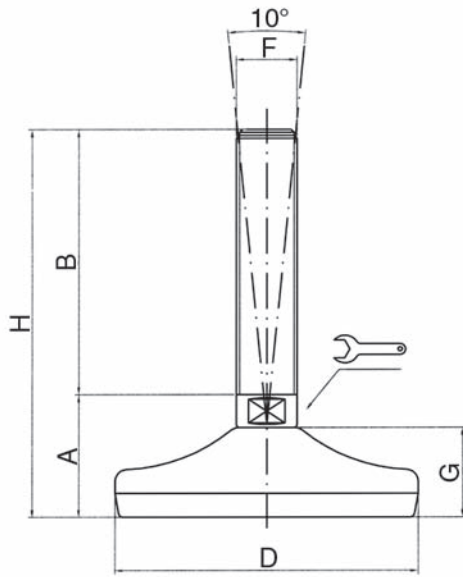
- Load values above mentioned have to be considered referring to static conditions calculated at the half of the screw length. In conditions of vibrations or in presence of dynamic loads these values should be reduced. For further information consult our technical office. We cannot accept responsibility for mounts that have been tampered or modified

BASE INOX Ø 80 STELO INOX SNODATO 10°

STAINLESS STEEL BASE Ø 80 ARTICULATED STAINLESS STEEL SCREW 10°

Martin
Levelling Components

Inox



CODICE - CODE	descrizione description	DIMENSIONI PRINCIPALI - MAIN DIMENSIONS							CARICO STATICO STATIC LOAD NEWTON
		A	B	D	CH	F	G	H	
24900/10	M10X50	35	50	Ø 80	14	M10	25	85	10000
25000/10	M10X75	35	75	Ø 80	14	M10	25	110	10000
25002/10	M10X100	35	100	Ø 80	14	M10	25	135	10000
25004/10	M10X125	35	125	Ø 80	14	M10	25	160	10000
24900/12	M12X50	35	50	Ø 80	14	M12	25	85	10000
25000/12	M12X75	35	75	Ø 80	14	M12	25	110	10000
25002/12	M12X100	35	100	Ø 80	14	M12	25	135	10000
25004/12	M12X125	35	125	Ø 80	14	M12	25	160	10000
25006/12	M12X150	35	150	Ø 80	14	M12	25	185	10000
25000	M14X75	35	75	Ø 80	14	M14	25	110	10000
25002	M14X100	35	100	Ø 80	14	M14	25	135	10000
25004	M14X125	35	125	Ø 80	14	M14	25	160	10000
25006	M14X150	35	150	Ø 80	14	M14	25	185	10000
25008	M14X175	35	175	Ø 80	14	M14	25	210	10000
25020	M16X75	35	75	Ø 80	13	M16	25	110	10000
25022	M16X100	35	100	Ø 80	13	M16	25	135	10000
25024	M16X125	35	125	Ø 80	13	M16	25	160	10000
25026	M16X150	35	150	Ø 80	13	M16	25	185	10000
25028	M16X175	35	175	Ø 80	13	M16	25	210	10000
25040	M20X75	38	75	Ø 80	17	M20	25	113	10000
25042	M20X100	38	100	Ø 80	17	M20	25	138	10000
25044	M20X125	38	125	Ø 80	17	M20	25	163	10000
25046	M20X150	38	150	Ø 80	17	M20	25	188	10000
25048	M20X175	38	175	Ø 80	17	M20	25	213	10000
25050	M20X200	38	200	Ø 80	17	M20	25	238	10000
25052	M20X225	38	225	Ø 80	17	M20	25	260	10000
25070	M24X75	40	75	Ø 80	20	M24	25	115	10000
25072	M24X100	40	100	Ø 80	20	M24	25	140	10000
25074	M24X125	40	125	Ø 80	20	M24	25	165	10000
* 25076	M24X150	40	150	Ø 80	20	M24	25	190	10000
* 25078	M24X175	40	175	Ø 80	20	M24	25	215	10000
* 25080	M24X200	40	200	Ø 80	20	M24	25	240	10000
* 25082	M24X225	40	225	Ø 80	20	M24	25	265	10000

* Disponibile con Filettatura a passo fine. Aggiungere **"/P2"** al codice
Available with Thin pitch thread. Please, add **"/P2"** to the code