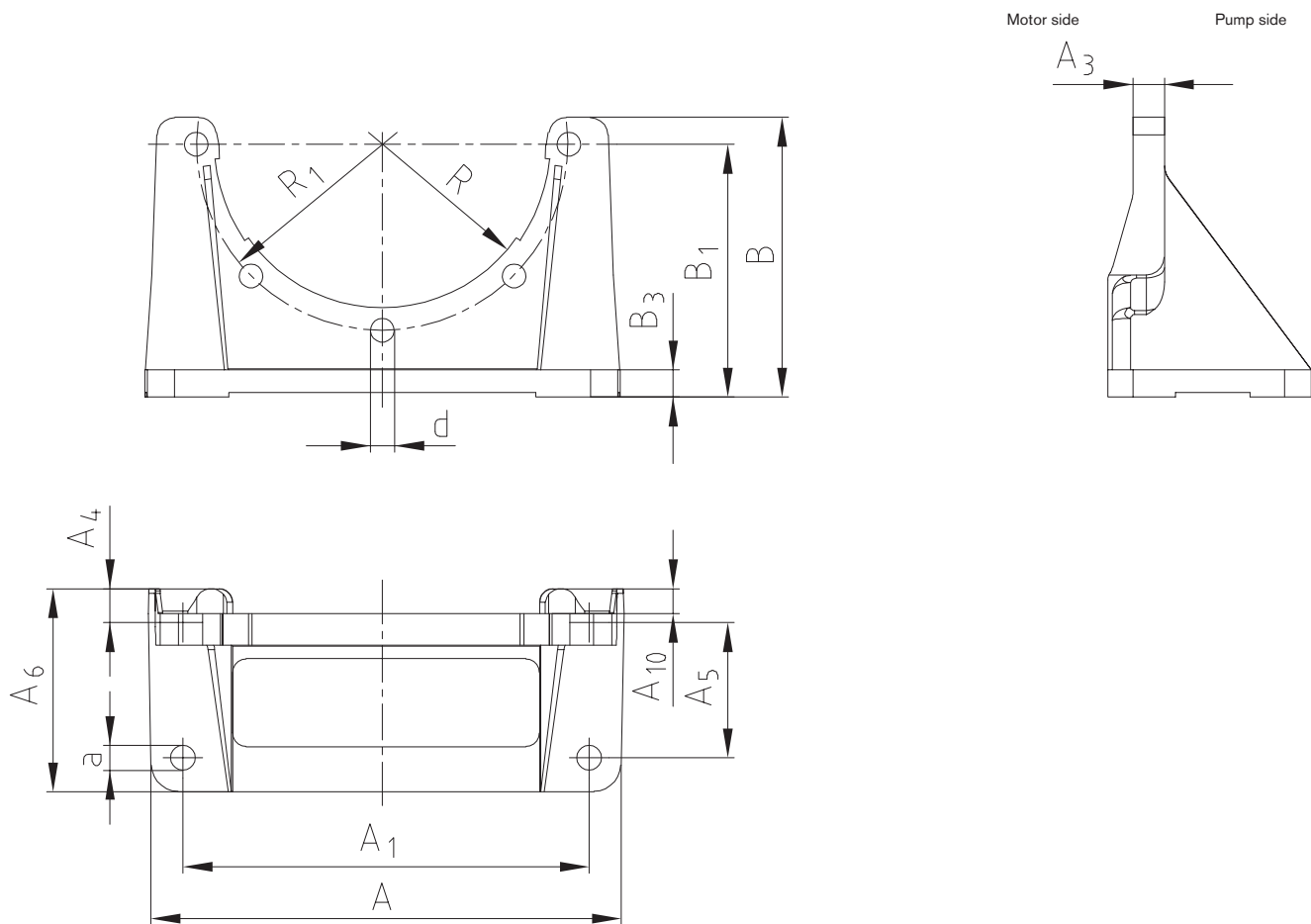


Foot flange PTFL



Foot flange PTFL*



*according to VDMA standard 24561 part 1

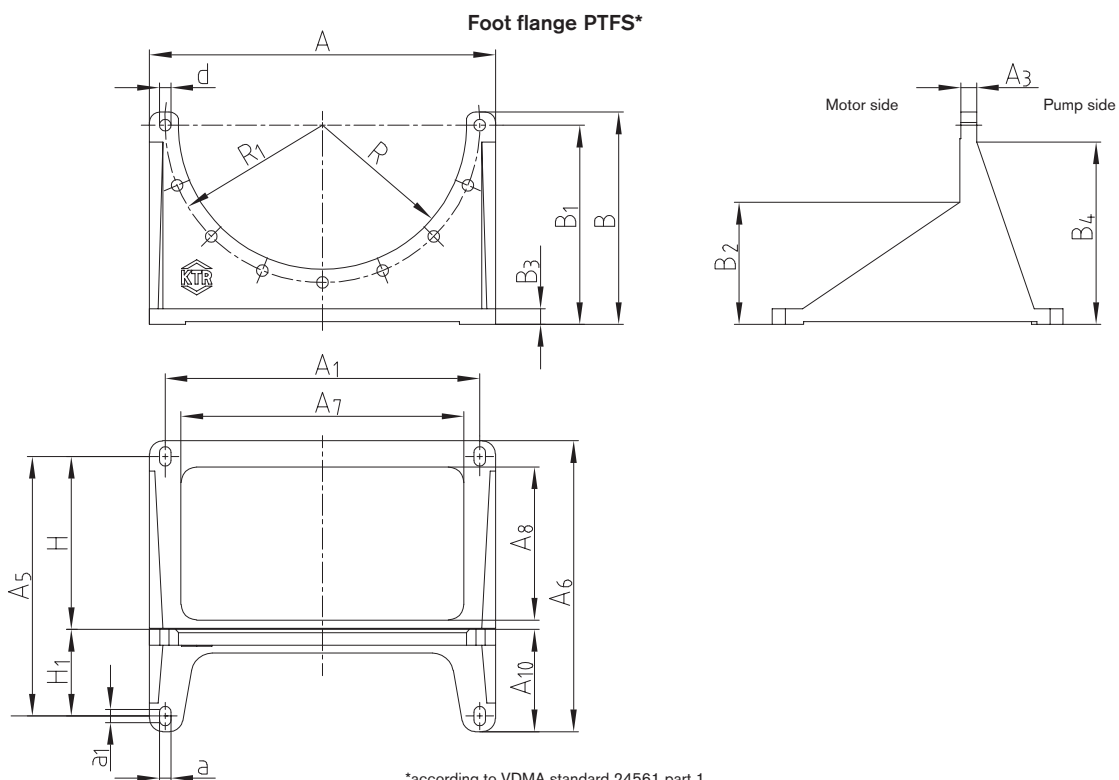
Foot flange type PTFL made of aluminium (Al)															
Foot flange size	For bellhousing size	Dimensions [mm]													
		A	A ₁	A ₃	A ₆	A ₄	A ₅	A ₁₀	B	B ₁	B ₃	R	R ₁	d	a
PTFL 160	160	160	140	12	80	15	50	8	110	100	10	55	65	9	9
PTFL 200	200	210	180	14	90	15	60	11	124	112	12	72,5	82,5	11	11
PTFL 250	250	250	220	16	97	21	60	-	145	132	15	95	107,5	13	13
PTFL 300	300	290	260	18	116	20	80	-	175	160	18	117	132,5	13	13
PTFL 350	350	340	300	20	150	20	110	-	195	180	22	130	150	18	16

In order to obtain the full loading capacity of the foot flanges all existing fastening bores have to be screwed up with the bellhousing!

Ordering example:	PTFL	350	Al
	Foot flange type	Size	Material

FOOT FLANGES PTFL HYDRAULIC COMPONENTS

Foot flange PTFS



*according to VDMA standard 24561 part 1

Foot flange type PTFS made of aluminium (Al)

Foot flange size	For bellhousing size	Dimensions [mm]																			
		A	A ₁	A ₃	A ₅	A ₆	A ₇	A ₈	A ₁₀	B	B ₁	B ₂	B ₃	B ₄	R	R ₁	a	a ₁	d	H	H ₁
PTFS 250	250	250	215	18	185	230	190	127	82	165	155	120	16	150	95	107,5	14	10	14	125	60
PTFS 300	300	300	265	20	225	270	240	152	92	200	185	149	19	184	117	132,5	14	10	14	150	75
PTFS 350	350	350	300	25	265	305	260	160	110	252	235	188	18	228	130	150	18	12	18	175	90
PTFS 400	400	400	350	20	300	350	300	185	125	277	260	193	20	241	150	175	18	12	18	200	100
PTFS 450	450	450	400	25	335	385	350	207	138	312	295	232	20	290	175	200	18	12	18	225	110

Foot flange type PTFS made of nodular iron (GJS)

Foot flange size	For bellhousing size	Dimensions [mm]																			
		A	A ₁	A ₃	A ₅	A ₆	A ₇	A ₈	A ₁₀	B	B ₁	B ₂	B ₃	B ₄	R	R ₁	a	a ₁	d	H	H ₁
PTFS 200 GGG	200	200	165	12	150	185	130	85	68	138	125	90	15	120	72,5	82,5	11	8	11,5	100	50
PTFS 250 GGG	250	250	215	17	185	230	190	—	82	165	155	120	15	150	95	107,5	14	10	14	125	60
PTFS 350 GGG	350	350	300	20	265	305	260	160	110	252	235	193	22	232	130	150	18	12	18	175	90
PTFS 400 GGG	400	405	350	20	300	350	300	192	125	277	260	220	22	175	150	175	18	12	18	200	100
PTFS 450 GGG	450	450	400	25	335	385	350	214	138	312	295	234	22	290	175	200	18	12	18	225	110
PTFS 550 GGG	550	550	500	25	415	465	440	240	165	370	350	233	25	318	225	250	18	12	18	275	140
PTFS 660 GGG	660	660	600	30	495	555	540	292	195	405	380	233	30	348	275	300	22	15	22	330	165

PTFS 800 made of steel on request

In order to obtain the full loading capacity of the foot flanges all existing fastening bores have to be screwed up with the bellhousing!

Ordering example:

PTFL	350	Al
Foot flange design	Size	Material