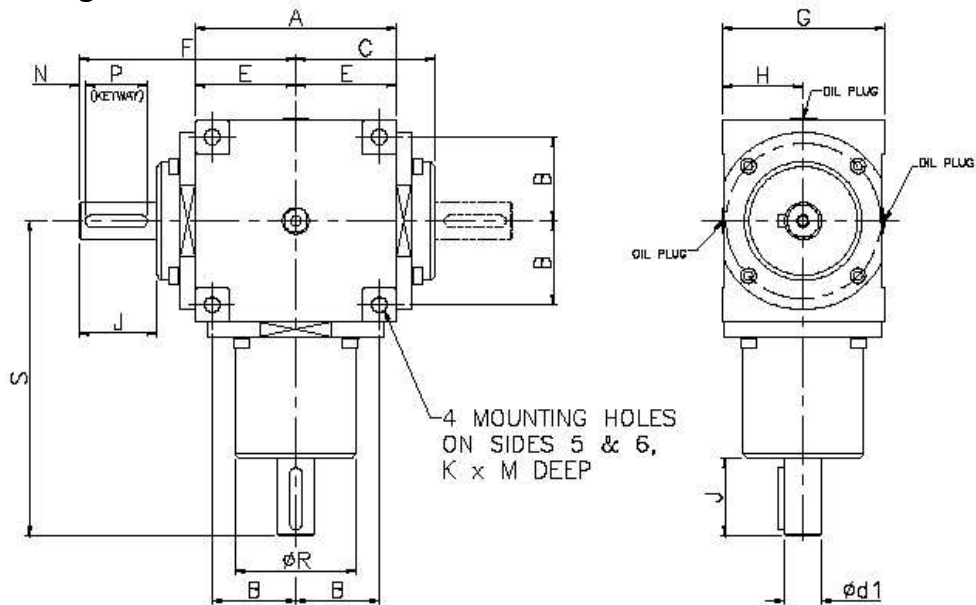
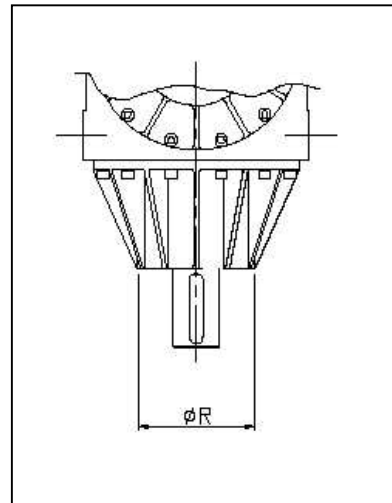
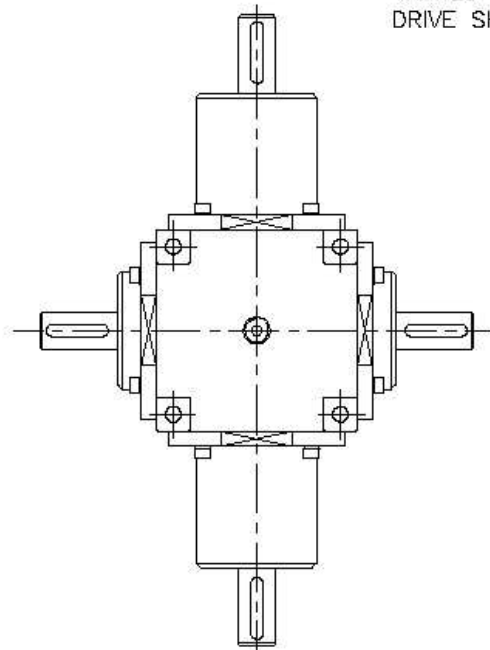


NEETER DRIVE GEARBOX DIMENSIONS Range N - Series 35 → 40 Gear Ratios 2:1 and Above



TAPPED HOLE IN END OF EACH SOLID DRIVE SHAFT — DETAIL "V"



| Series | A | B | C | Ød1 (js6) | E | F | G | H | J | K | M | N | P key to BS4235: Part 1: 1972 | ØR | S | V |
|--------|-----|------|-----|-----------|-----|-----|-------|-------|-----|-----|----|-----|-------------------------------|-------|-----|-----------------|
| 35 | 90 | 36.5 | 64 | 19 | 45 | 105 | 92 | 46 | 41 | M8 | 12 | 2 | 6 x 6 x 36 | 61 | 143 | M6 x 16mm Deep |
| 37 | 130 | 54 | 90 | 24 | 65 | 140 | 105 | 52.5 | 50 | M10 | 20 | 4 | 8 x 7 x 40 | 78 | 203 | M8 x 25mm Deep |
| 38 | 156 | 57 | 104 | 32 | 78 | 165 | 143 | 71.5 | 61 | M10 | 20 | 5 | 10 x 8 x 50 | 92 | 222 | M10 x 25mm Deep |
| 39 | 198 | 76 | 134 | 48 | 99 | 210 | 190.5 | 95.25 | 76 | M12 | 25 | 2.5 | 14 x 9 x 70 | 118 | 299 | M12 x 30mm Deep |
| 40 | 280 | 114 | 165 | 60 | 140 | 267 | 292 | 146 | 102 | M16 | 30 | 5 | 18 x 11 x 90 | 152** | 388 | M16 x 38mm Deep |

** See Series 40 extended input housing detail

- Note: 1. All dimensions in mm
2. Dimensions subject to change without notice.

Any questions? Please contact us.