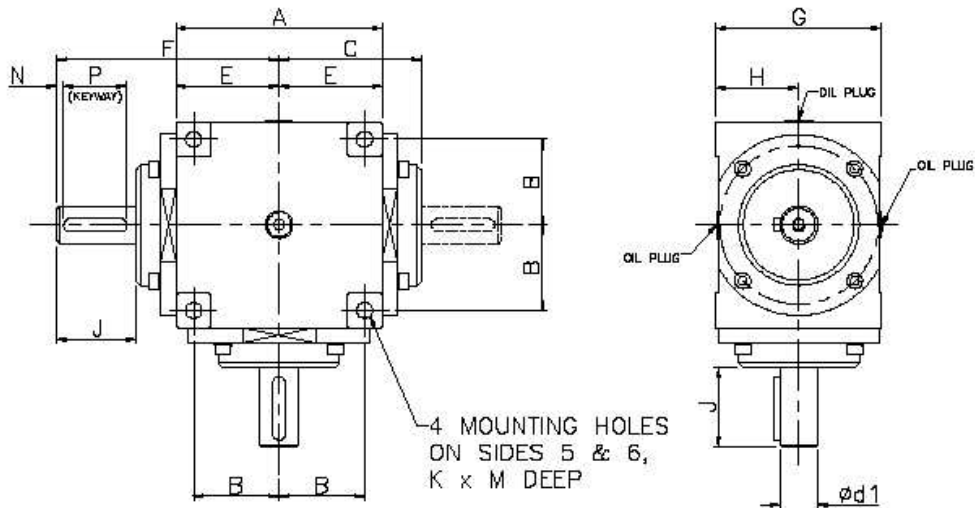
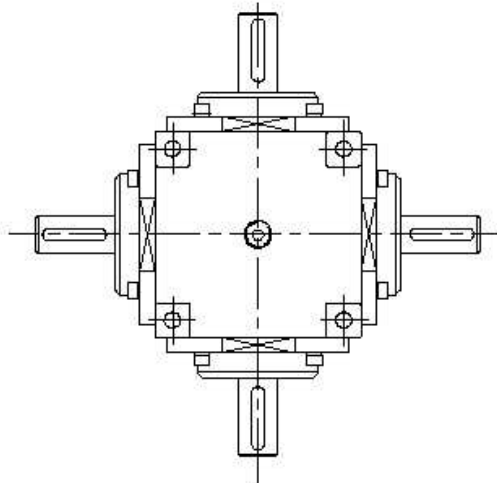


NEETER DRIVE GEARBOX DIMENSIONS

Range N - Series 35 → 40 Gear Ratios 1:1 and 1.5:1 Solid Shafts



TAPPED HOLE IN END OF EACH SOLID DRIVE SHAFT – DETAIL "V"



Series	A	B	C	Ød1 (js6)	E	F	G	H	J	K	M	N	P key to BS4235: Part 1:1972	V
35	90	36.5	64	19	45	105	92	46	41	M8	12	2	6 x 6 x 36	M6 x 16mm Deep
37	130	54	90	24	65	140	105	52.5	50	M10	20	4	8 x 7 x 40	M8 x 25mm Deep
38	156	57	104	32	78	165	143	71.5	61	M10	20	5	10 x 8 x 50	M10 x 25mm Deep
39	198	76	134	48	99	210	190.5	95.25	76	M12	25	2.5	14 x 9 x 70	M12 x 30mm Deep
40	280	114	165	60	140	267	292	146	102	M16	30	5	18 x 11 x 90	M16 x 38mm Deep

- Note: 1. All dimensions in mm
2. Dimensions subject to change without notice

Any questions? Please contact us.