

40-1

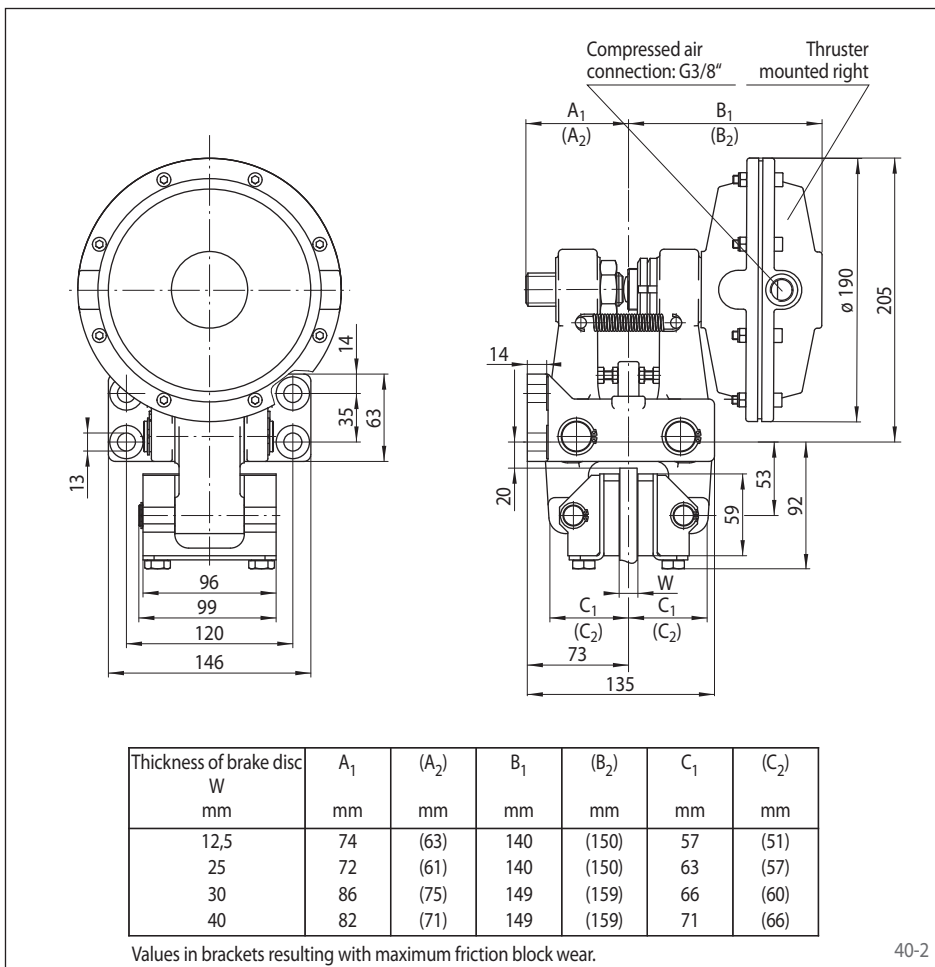
### Features

Features	Code
Brake Caliper	D
Mounting to the machine parallel to the brake disc	V
Frame size 035	035
Pneumatically activated	P
Spring released	F
Manual adjustment to counter friction block wear	M
Thruster 660	660
Thruster mounted right available	R
Thickness of brake disc 12,5 mm, 25 mm, 30 mm or 40 mm	12 25 30 40

### Example for ordering

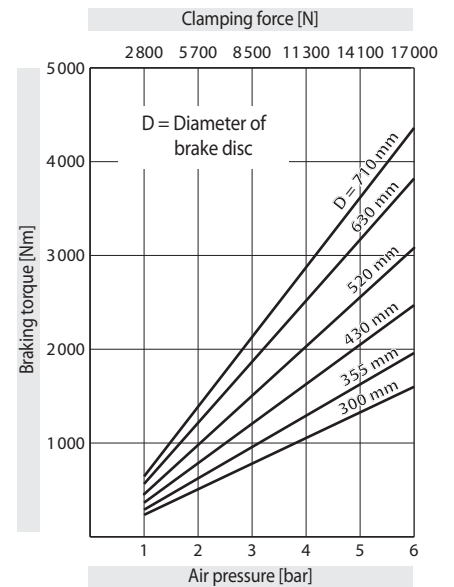
Brake Caliper DV 035 PFM, thruster 660, thruster mounted right, thickness of brake disc 12,5 mm:

DV 035 PFM - 660 R - 12



40-2

### Technical Data



The braking torques shown in the diagram are based on a theoretical friction coefficient of 0,4.

Air pressure: max. 6 bar

Air volume: max. 280 cm<sup>3</sup> per activation

Weight: 11 kg