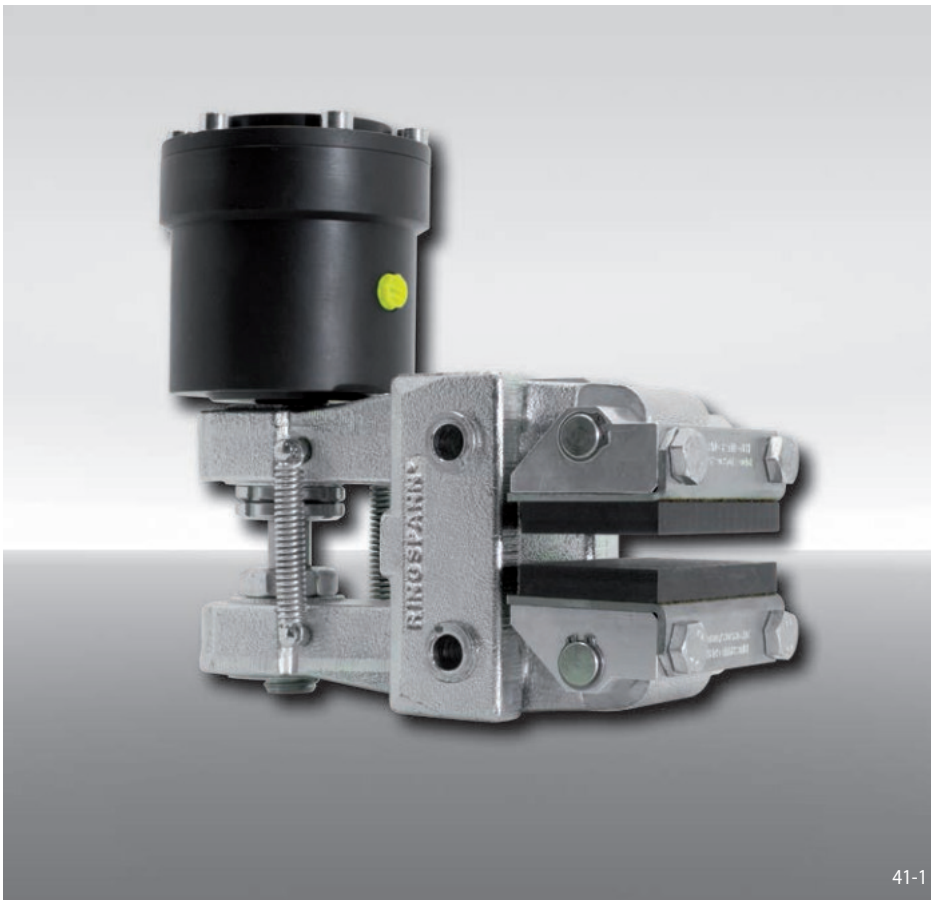


Brake Caliper DH 035 FHM

spring activated – hydraulically released



41-1

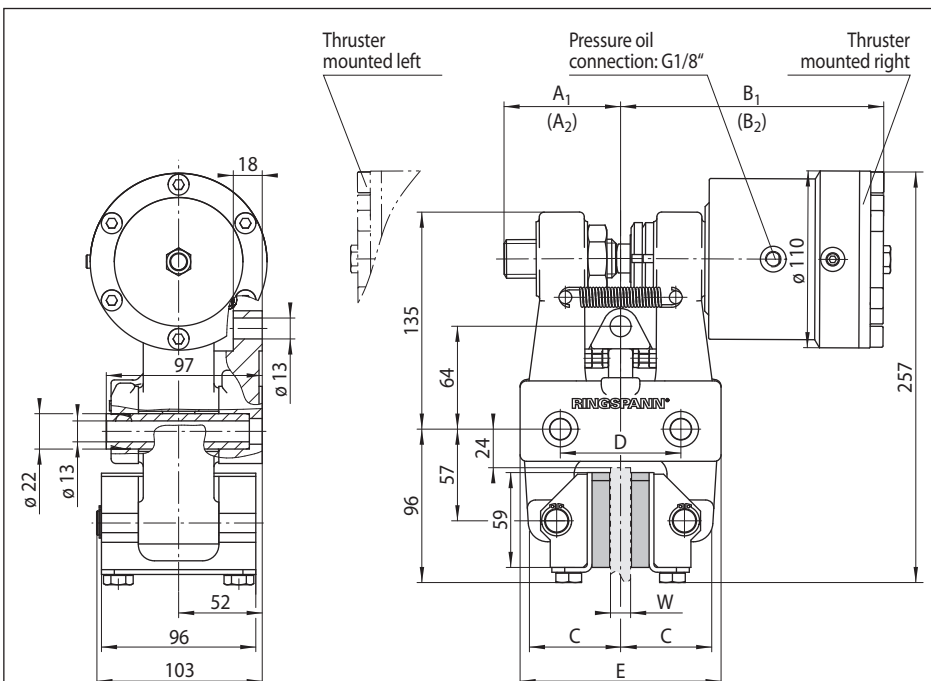
Features

Features	Code
Brake Caliper	D
Mounting to the machine at right angles to the brake disc	H
Frame size 035	035
Spring activated	F
Hydraulically released	H
Manual adjustment to accommodate friction block wear	M
Thruster 270	270
Thruster mounted right or left available	R L
Thickness of brake disc 12,5 mm or 25 mm	12 25

Example for ordering

Brake Caliper DH 035 FHM, thruster 270, thruster mounted right, thickness of brake disc 12,5 mm:

DH 035 FHM - 270 R - 12



Technical Data

Brake Caliper DH 035 FHM with thruster 270	
Brake disc diameter	Braking torque
mm	Nm
300	1500
355	1850
430	2350
520	3000
630	3600
710	4100
800	4700
Clamping force	16000 N
Oil pressure	min. 55 bar max. 120 bar
Oil volume	max. 6 cm ³
Weight	13,9 kg

The braking torques shown in the table are based on a theoretical friction coefficient of 0,4.

Thickness of brake disc W mm	A ₁ mm	(A ₂) mm	B ₁ mm	(B ₂) mm	C mm	D mm	E mm
12,5	74	(63)	164	(174)	57	75	125
25	72	(61)	171	(181)	63	84	131

Values in brackets resulting with maximum friction block wear.

41-2

Morskate®



Any questions? Please contact us.

Morskate Aandrijvingen BV

Oosterveldsingel 47A
7558 PJ Hengelo (Ov)
The Netherlands

NL

T +31 (0)74 - 760 11 11
info@morskateaandrijvingen.nl
www.morskateaandrijvingen.nl

DE

T +49 692 - 222 34 95
info@morskateantriebstechnik.de
www.morskateantriebstechnik.de

EN

T +31 (0)74 - 760 11 11
info@morskatedrivetechnology.com
www.morskatedrivetechnology.com