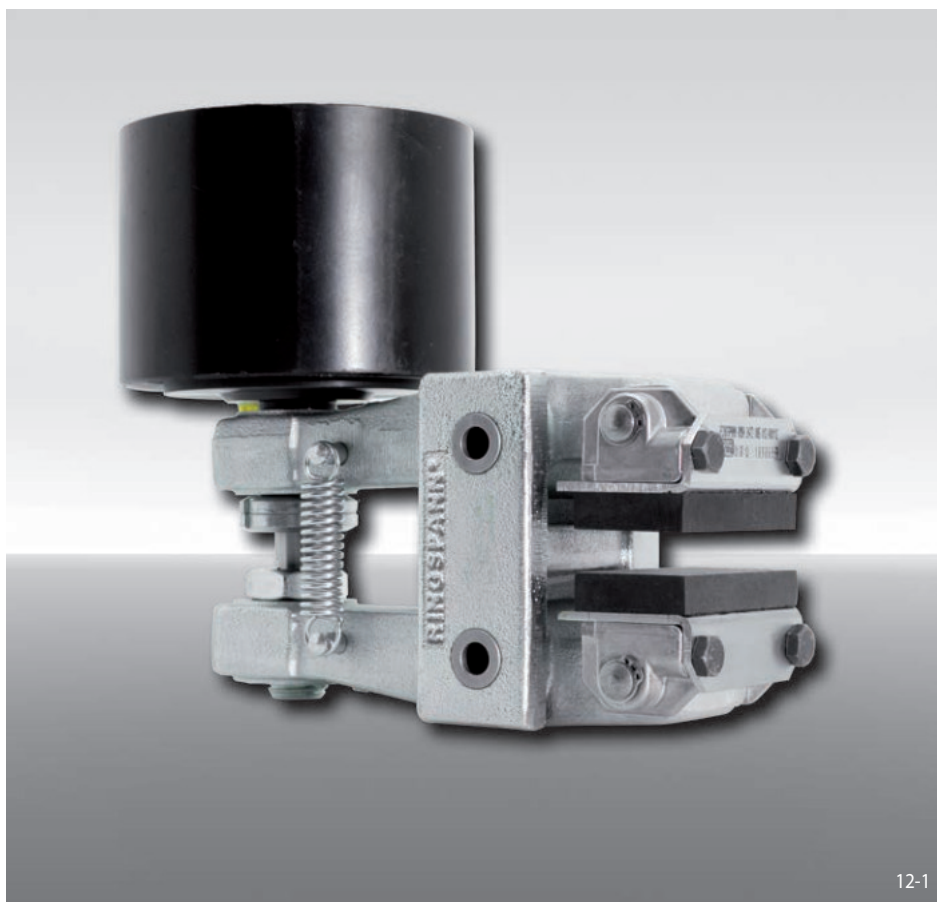


Brake Caliper DH 025 FPM

spring activated – pneumatically released



12-1

Features	Code
Brake Caliper	D
Mounting to the machine at right angles to the brake disc	H
Frame size 025	025
Spring activated	F
Pneumatically released	P
Manual adjustment to accommodate friction block wear	M
Thrusters 015, 025, 035 or 045 are available	015 to 045
Thruster mounted right or left available	R L
Thickness of brake disc 12,5 mm or 25 mm	12 25

Example for ordering

Brake Caliper DH 025 FPM, thruster 015, thruster mounted right, thickness of brake disc 12,5 mm:

DH 025 FPM - 015 R - 12

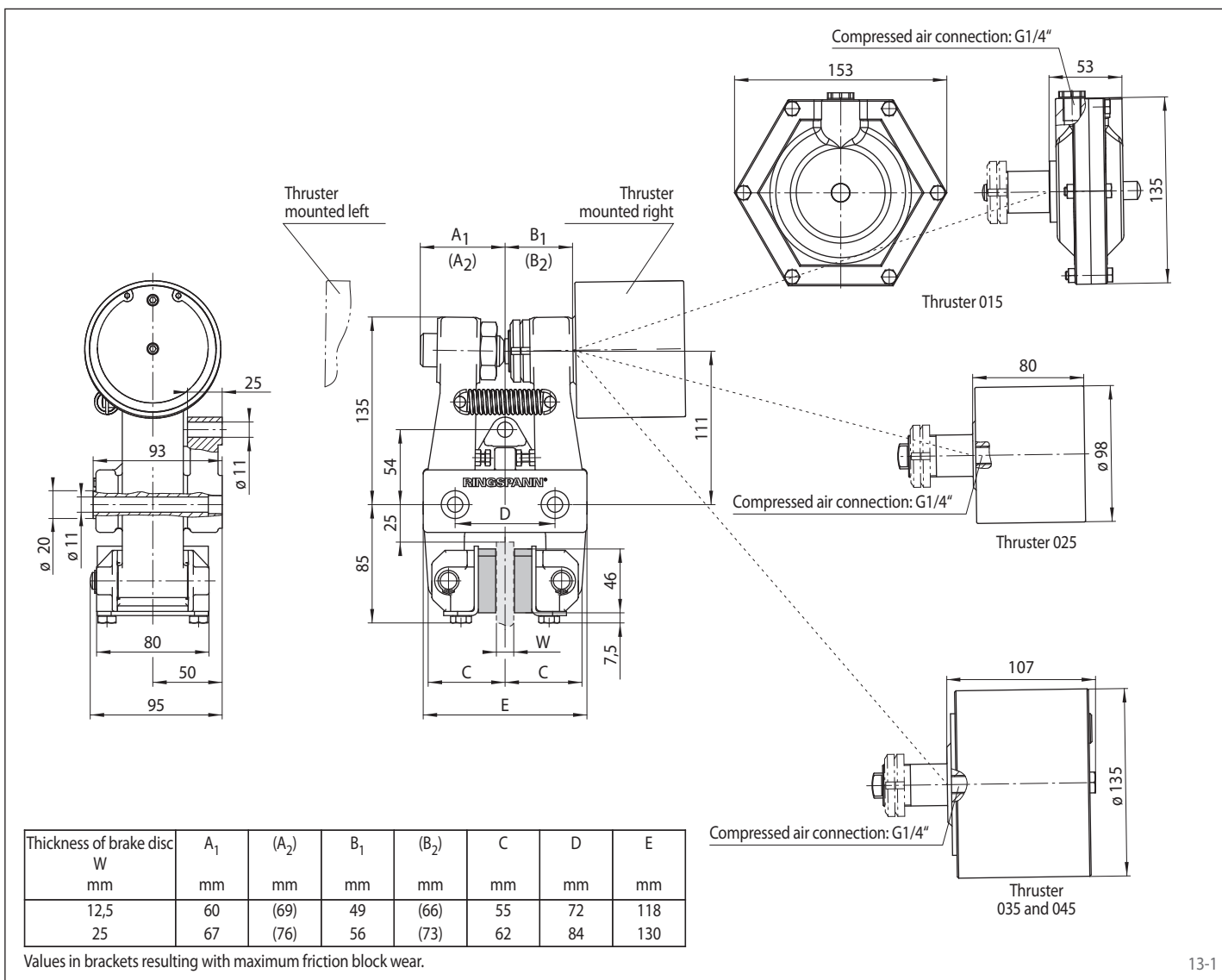
Technical Data

	Brake Caliper DH 025 FPM			
	with thruster 015	with thruster 025	with thruster 035	with thruster 045
Brake disc diameter	Braking torque	Braking torque	Braking torque	Braking torque
mm	Nm	Nm	Nm	Nm
200	240	270	400	570
250	330	370	540	770
300	420	460	680	970
355	510	570	840	1200
430	640	710	1050	1500
520	790	890	1300	1900
Clamping force	4300 N	4800 N	7100 N	10100 N
Air pressure	min. 5 bar max. 7 bar	min. 5 bar max. 8 bar	min. 4,2 bar max. 8 bar	min. 5 bar max. 8 bar
Air volume per activation	max. 17 cm ³	max. 120 cm ³	max. 185 cm ³	max. 185 cm ³
Weight	7,5 kg	8,6 kg	10,9 kg	11,0 kg

The braking torques shown in the table are based on a theoretical friction coefficient of 0,4.

Brake Caliper DH 025 FPM

spring activated – pneumatically released



Morskate®



Any questions? Please contact us.

Morskate Aandrijvingen BV

Oosterveldsingel 47A
7558 PJ Hengelo (Ov)
The Netherlands

NL

T +31 (0)74 - 760 11 11
info@morskateaandrijvingen.nl
www.morskateaandrijvingen.nl

DE

T +49 692 - 222 34 95
info@morskateantriebstechnik.de
www.morskateantriebstechnik.de

EN

T +31 (0)74 - 760 11 11
info@morskatedrivetechnology.com
www.morskatedrivetechnology.com