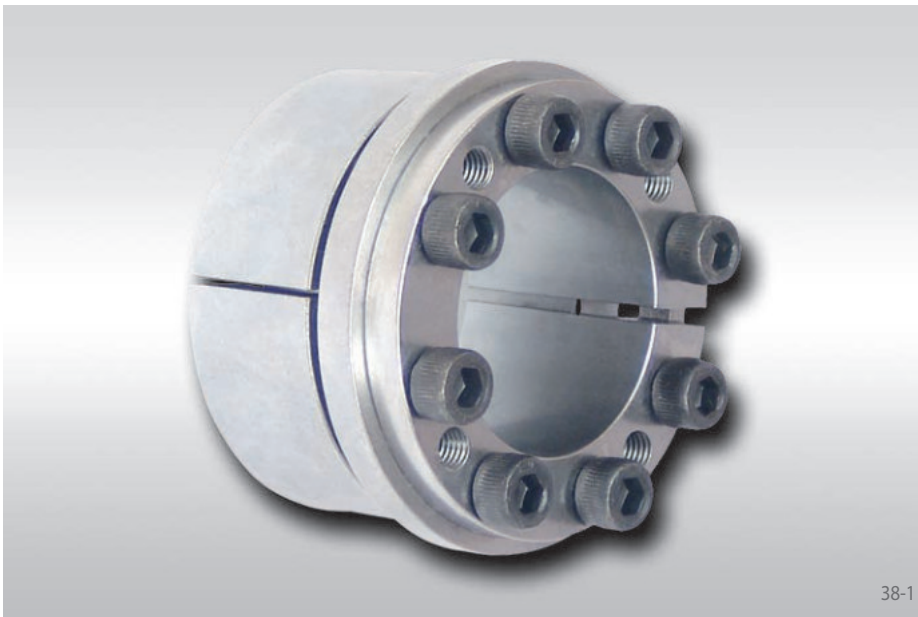


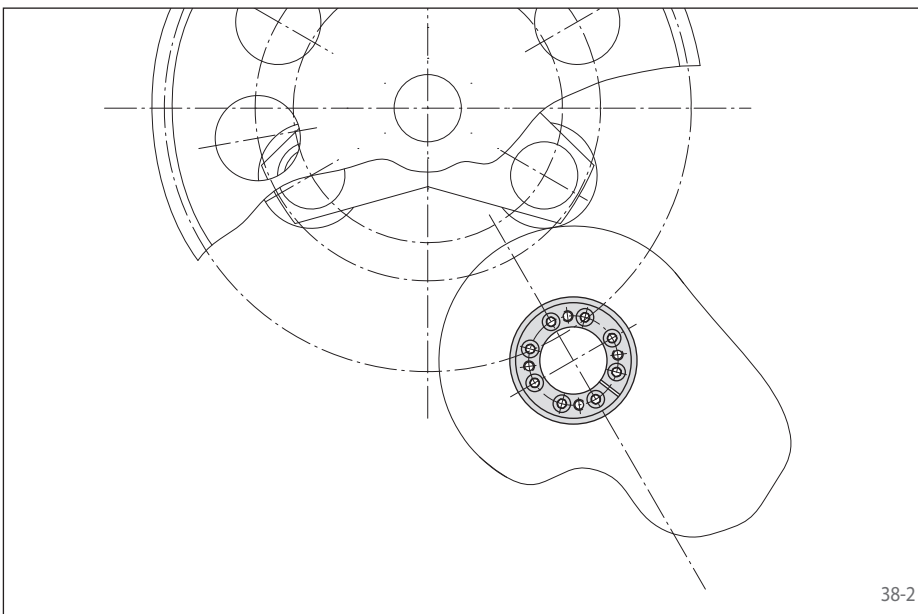
Cone Clamping Elements RLK 131

centres the hub to the shaft
no axial displacement



Features

- Centres the shaft to the hub
- No axial displacement between hub and shaft during clamping procedure due to fixed backstop point
- Transmissible torque of 350 Nm up to 43 000 Nm
- For shaft diameters between 20 mm and 180 mm



Application example

Backlash free connection of a cam disc to the drive shaft in a stepping gear in the material feed mechanism of a paper processing machine with a Cone Clamping Element RLK 131.

Transmissible torques and axial forces

The transmissible torques or axial forces listed on the following page are subject to the following tolerances, surface characteristics and material requirements. Please contact us in the case of deviations.

Tolerances

- h8 for shaft diameter d
- H8 for hub bore D

Surfaces

Average surface roughness at the contact surfaces between the shaft and the hub bore:
 $R_z = 10 \dots 25 \mu\text{m}$.

Materials

The following apply to the shaft and the hub:

- E-module $\geq 170 \text{ kN/mm}^2$

Installation

Please request our installation and operating instructions for Cone Clamping Elements RLK 131.

Simultaneous transmission of torque and axial force

The transmissible torques M which are shown in the tables apply for axial forces $F = 0 \text{ kN}$ and conversely, the indicated axial forces F apply to torques $M = 0 \text{ Nm}$. If torque and axial force are to be transmitted simultaneously, the transmissible torque and the transmissible axial force are reduced. Please refer to the technical points on pages 72 and 73.

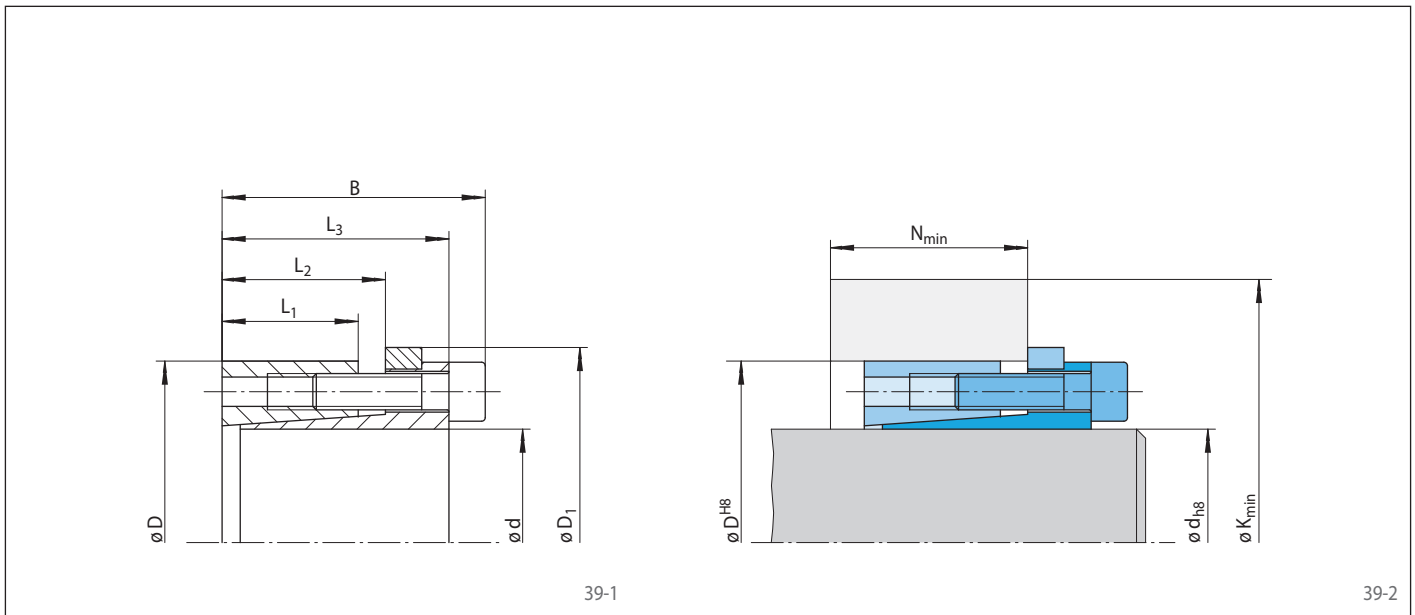
Example for ordering

Cone Clamping Element RLK 131 for shaft diameter $d = 100 \text{ mm}$:

- RLK 131, size 100 x 145
Article number 4204-100101-000000

Cone Clamping Elements RLK 131

centres the hub to the shaft
no axial displacement



Dimensions													Technical Data										Article number
Size		Yield strength R_e of the hub material [N/mm ²]							Transmissible torque or axial force		Contact pressure at		Clamping screws				Weight						
d mm	D mm	200		320		500			M	F	Shaft P_W N/mm ²	Hub P_N N/mm ²	Tightening torque M_5 Nm	Number	Size	Length mm		kg					
20	47	53	48	26	31	42	80	35	65	31	58	29	350	35	181	77	17,4	6	M 6	25	0,4	4204-020101-000000	
22	47	53	48	26	31	42	80	35	65	31	58	29	390	35	165	77	17,4	6	M 6	25	0,4	4204-022101-000000	
24	50	56	48	26	31	42	82	34	68	31	61	29	430	35	151	73	17,4	6	M 6	25	0,4	4204-024101-000000	
25	50	56	48	26	31	42	82	34	68	31	61	29	440	35	145	73	17,4	6	M 6	25	0,4	4204-025101-000000	
28	55	61	48	26	31	42	85	34	72	31	65	29	500	35	130	66	17,4	6	M 6	25	0,5	4204-028101-000000	
30	55	61	48	26	31	42	85	34	72	31	65	29	530	35	121	66	17,4	6	M 6	25	0,5	4204-030101-000000	
32	60	66	48	26	31	42	101	37	83	32	74	30	760	47	151	81	17,4	8	M 6	25	0,6	4204-032101-000000	
35	60	66	48	26	31	42	101	37	83	32	74	30	830	47	138	81	17,4	8	M 6	25	0,5	4204-035101-000000	
38	65	71	48	26	31	42	104	36	87	32	79	30	900	47	127	75	17,4	8	M 6	25	0,6	4204-038101-000000	
40	65	71	48	26	31	42	104	36	87	32	79	30	940	47	121	75	17,4	8	M 6	25	0,6	4204-040101-000000	
42	75	81	59	30	35	51	121	42	101	37	91	34	1350	65	137	77	42,2	6	M 8	30	1,1	4204-042101-000000	
45	75	81	59	30	35	51	121	42	101	37	91	34	1450	65	128	77	42,2	6	M 8	30	1,1	4204-045101-000000	
48	80	86	59	30	35	51	144	46	116	39	102	36	2050	86	159	96	42,2	8	M 8	30	1,1	4204-048101-000000	
50	80	86	59	30	35	51	144	46	116	39	102	36	2150	86	153	96	42,2	8	M 8	30	1,1	4204-050101-000000	
55	85	91	59	30	35	51	146	46	120	39	106	36	2350	86	139	90	42,2	8	M 8	30	1,2	4204-055101-000000	
60	90	96	59	30	35	51	149	45	124	39	111	36	2600	86	128	85	42,2	8	M 8	30	1,3	4204-060101-000000	
65	95	101	59	30	35	51	152	45	129	39	116	36	2800	86	118	81	42,2	8	M 8	30	1,3	4204-065101-000000	
70	110	119	70	40	45	60	182	58	151	51	135	47	4800	140	129	82	83,0	8	M 10	30	2,4	4204-070101-000000	
75	115	124	70	40	45	60	185	58	156	51	140	47	5100	140	121	79	83,0	8	M 10	30	2,6	4204-075101-000000	
80	120	129	70	40	45	60	189	58	160	50	145	47	5400	140	113	76	83,0	8	M 10	30	2,7	4204-080101-000000	
85	125	134	70	40	45	60	213	62	176	53	156	48	7200	170	133	91	83,0	10	M 10	30	2,8	4204-085101-000000	
90	130	139	70	40	45	60	216	62	180	53	161	48	7600	170	126	87	83,0	10	M 10	30	3,0	4204-090101-000000	
95	135	144	70	40	45	60	219	61	184	53	166	48	8100	170	119	84	83,0	10	M 10	30	3,2	4204-095101-000000	
100	145	155	80	45	52	68	233	67	196	58	177	53	10000	200	118	82	144,0	8	M 12	35	4,1	4204-100101-000000	
110	155	165	80	45	52	68	240	67	205	58	186	53	11000	200	108	76	144,0	8	M 12	35	4,4	4204-110101-000000	
120	165	175	80	45	52	68	271	72	228	61	204	55	15000	250	123	90	144,0	10	M 12	35	4,7	4204-120101-000000	
130	180	188	80	45	52	68	304	76	254	64	226	57	19500	300	136	99	144,0	12	M 12	35	5,7	4204-130101-000000	
140	190	199	90	50	58	76	320	83	267	70	238	62	24000	340	130	96	229,0	10	M 14	40	6,9	4204-140101-000000	
150	200	209	90	50	58	76	355	89	292	73	257	65	31000	410	146	109	229,0	12	M 14	40	7,2	4204-150101-000000	
160	210	219	90	50	58	76	360	88	300	73	266	64	33000	410	136	104	229,0	12	M 14	40	7,8	4204-160101-000000	
170	225	234	90	50	58	76	396	93	328	76	290	67	40500	480	150	113	229,0	14	M 14	40	8,9	4204-170101-000000	
180	235	244	90	50	58	76	402	92	336	76	299	66	43000	480	142	109	229,0	14	M 14	40	9,5	4204-180101-000000	

Morskate®



Any questions? Please contact us.

Morskate Aandrijvingen BV

Oosterveldsingel 47A
7558 PJ Hengelo (Ov)
The Netherlands

NL

T +31 (0)74 - 760 11 11
info@morskateaandrijvingen.nl
www.morskateaandrijvingen.nl

DE

T +49 692 - 222 34 95
info@morskateantriebstechnik.de
www.morskateantriebstechnik.de

EN

T +31 (0)74 - 760 11 11
info@morskatedrivetechnology.com
www.morskatedrivetechnology.com