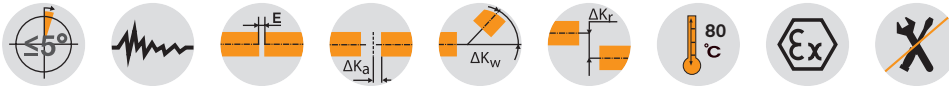
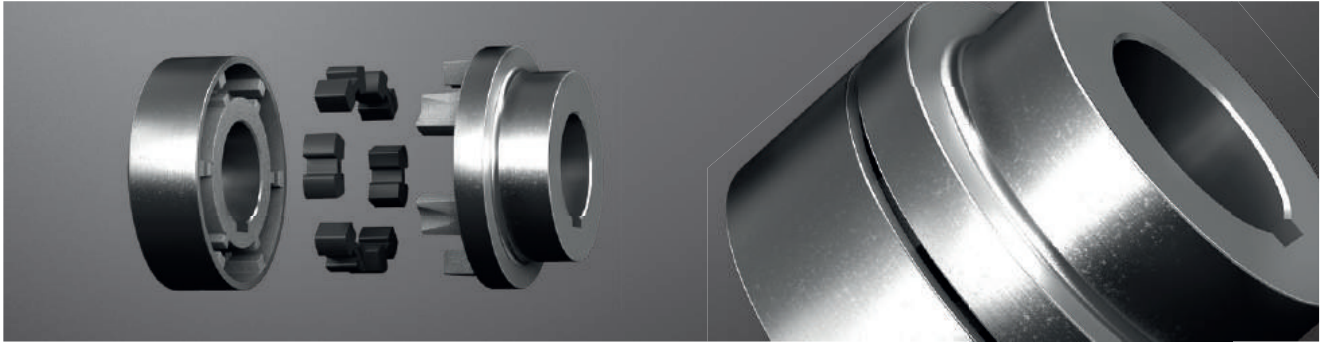
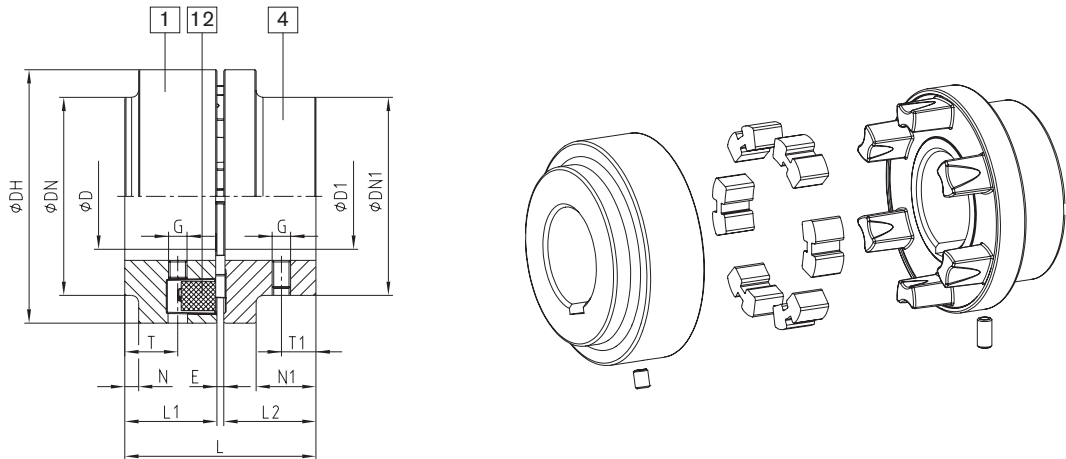


Two-part



Components



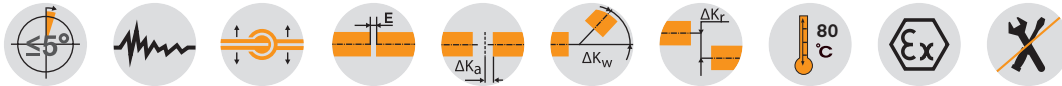
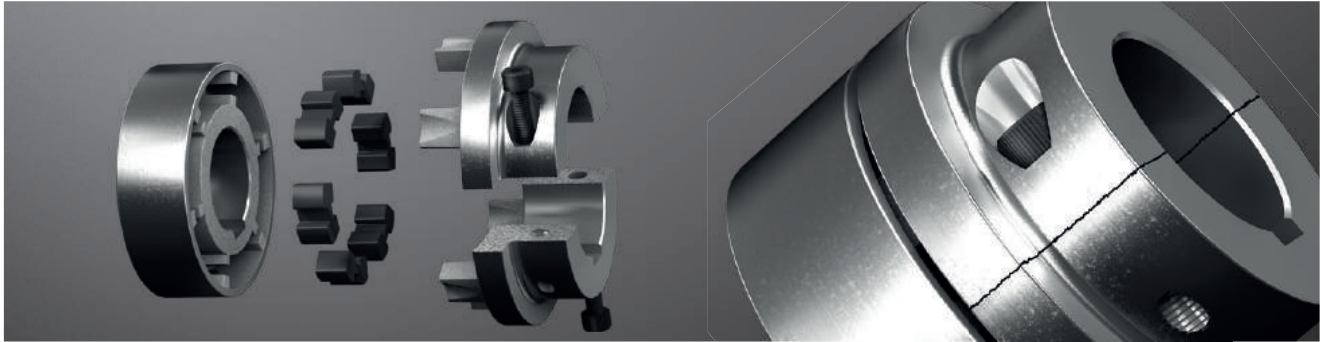
ROFLEX® type N																				
Size	Torque		Max. speed [rpm]	Dimensions														Mass moment of inertia J1 [kgm²]	Mass moment of inertia J4 [kgm²]	Total weight m [kg] ¹⁾
	TKN [Nm]	TKmax. [Nm]		Max. finish bore			General							Thread for setscrews						
				D	D1	L	L1, L2	E	DH	DN	DN1	N	N1	G	T	T1	TA [Nm]			
68	65	180	8500	28	38	43	20	3	68	-	-	-	-	M5	8.5	8	2	0.00016	0.00029	0.6
80	80	220	7500	35	45	63	30	3	80	-	68	-	20	M8	20.5	12	10	0.00059	0.00055	1.2
95	125	345	6800	45	48	73	35	3	95	76	76	5	23	M8	22	15	10	0.00116	0.00120	1.9
110	205	565	6500	50	55	83	40	3	110	86	86	6	26	M8	24	18	10	0.0024	0.0024	2.9
125	315	865	5800	60	65	103	50	3	125	100	100	14	32	M8	32	20	10	0.0046	0.0052	4.5
140	450	1240	5400	70	65	113	55	3	140	100	100	21	35	M10	13	22	17	0.0062	0.0077	5.3
160	790	2170	4800	75	70	124	60	4	160	108	108	21	40	M10	13	25	17	0.014	0.013	8.1
180	1150	3160	4350	85	80	144	70	4	180	125	125	28	50	M10	16	32	17	0.021	0.023	11.0
200	1800	4950	3950	90	90	164	80	4	200	140	140	33	56	M12	20	40	40	0.038	0.044	16.3
225	2100	5775	3600	100	100	184	90	4	225	150	150	38	72	M12	22	40	40	0.06	0.06	20.4
250	3550	9765	3000	110	110	205.5	100	5.5	250	165	165	40	82	M16	24	45	80	0.11	0.10	28.2
280	5000	13750	3000	120	120	225.5	110	5.5	280	180	180	45	90	M16	28	45	80	0.19	0.16	38.1

¹⁾ Mass moments of inertia J1 and J4 as well as the total weight m refer to the maximum bore diameters

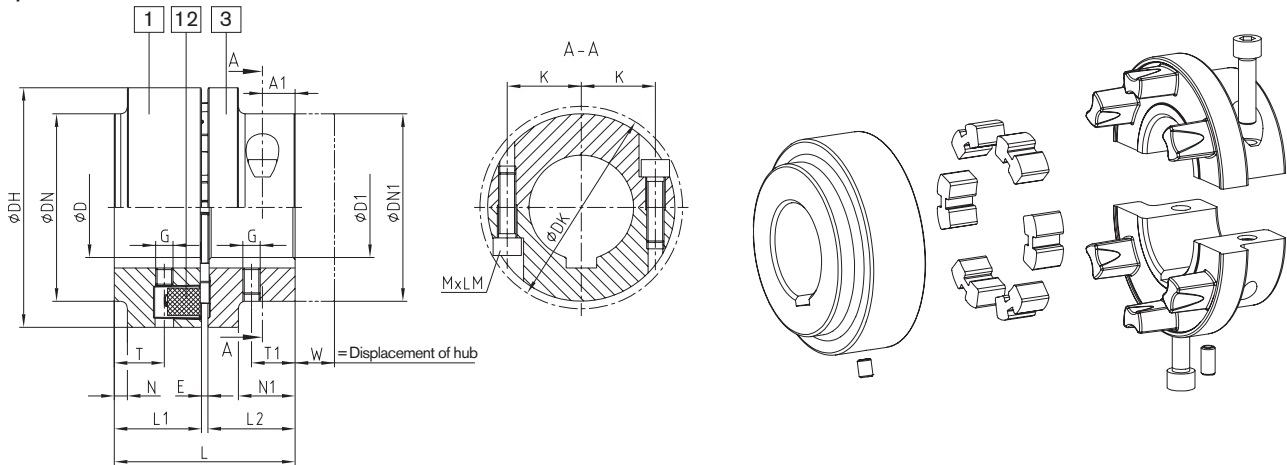
■ = Available from stock

Ordering example:	ROFLEX® 110	Standard	ØD1 = 48	ØD4 = 38
	Coupling size	Type	Finish bore	Finish bore

Coupling with split hub



Components

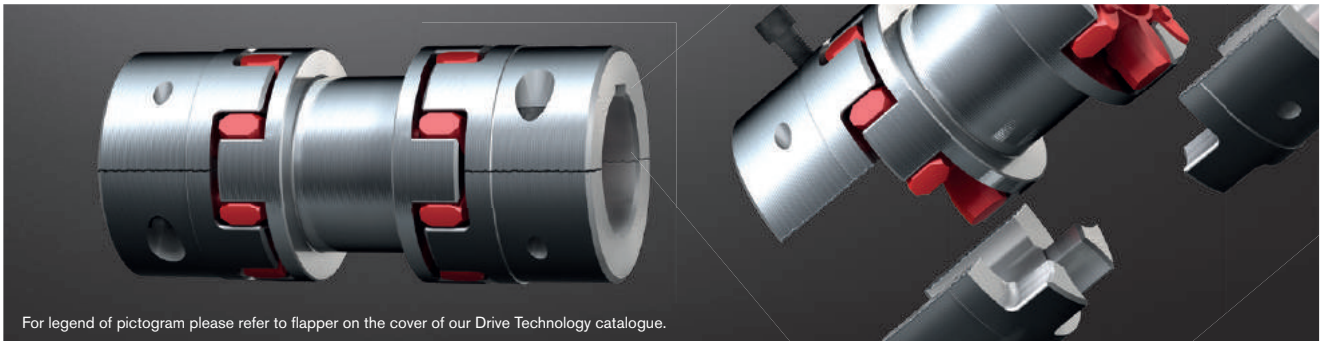


ROFLEX® type SH																												
Size	Torque		Max. speed [rpm]	Dimensions															Mass moment of inertia J1 [kgm²] ¹⁾	Mass moments of inertia J3 [kgm²] ¹⁾	Total weight m [kg] ¹⁾							
	T _{KN} [Nm]	T _{Kmax} [Nm]		Max. finish bore					General					Thread for setscrews				Cap screws										
			D	D1	L	L1	L2	E	DH	DN	DN1	N	N1	W	G	T	T1	T _A [Nm]	MxLM	DK	K	A1	A2	T _A [Nm]				
80	80	220	7500	35	38	63	30	30	3	80	80	68	-	20	15.5	M8	20.5	12	10	M8x25	75	25	11	-	34	0.00059	0.00058	1.3
95	125	345	6800	45	42	73	35	35	3	95	76	76	5	23	18	M8	22	15	10	M8x30	82	28.5	13	-	34	0.00116	0.00123	2.0
110	205	565	6500	50	48	83	40	40	3	110	86	86	6	26	21	M8	24	18	10	M8x35	94	31.5	15	-	34	0.0024	0.0025	3.1
125	315	865	5800	60	55	103	50	50	3	125	100	100	14	32	23.5	M8	32	20	10	M10x40	108	38.5	20	-	67	0.0046	0.0052	4.5
140	450	1240	5400	70	60	113	55	55	3	140	100	100	21	35	25	M10	13	22	17	M10x35	108	39.0	10.5	25.5	67	0.0062	0.0080	5.7
160	790	2170	4800	75	65	124	60	60	4	160	108	108	21	40	30	M10	13	25	17	M12x35	118	42.5	12	29	115	0.014	0.014	8.5
180	1150	3160	4350	85	75	144	70	70	4	180	125	125	28	50	32	M10	16	32	17	M12x40	135	50	15	35	115	0.021	0.024	11.6
200	1800	4950	3950	90	85	164	80	80	4	200	140	140	33	56	34	M12	20	40	40	M16x50	153	54	17	40	290	0.038	0.044	17.8

¹⁾ Mass moments of inertia J1 and J4 as well as the total weight m refer to the maximum bore diameters
■ = Available from stock

Ordering example:	ROFLEX® 110	SH	ØD1 = 42	ØD3 = 48
	Coupling size	Type	Finish bore	Finish bore

Double-cardanic shaft coupling with SPLIT hubs



For legend of pictogram please refer to flapper on the cover of our Drive Technology catalogue.



ROTEX® type ZS-DKM-SH																							
Size ³⁾	Drop-out center length DBSE [mm]	Finish bore D		Spider 98 Sh A GS T _{KN} [Nm] ¹⁾²⁾	Dimensions [mm]										Screws DIN EN ISO 4762		Max. displacements						
		Min.	Max.		DH	DN1	DK	D1	L1, L2	L11	E	B1	S	LZS-DKM-SH	G	W	MxLM	T _A [Nm]	Axial [mm]	with n = 1500 rpm		with n = 3000 rpm	
																				Radial [mm]	Angular [°]	Radial [mm]	Angular [°]
24	100	0	28	35	55	-	57.5	27	30	64	18	14	2.0	160	M5	12	M6x20	14	1.4	1.43		1.07	
	104									200				2.13						1.60			
28	100	0	38	95	65	-	73	30	35	60	20	15	2.5	170	M8	12	M8x25	34	1.5	1.40		1.05	
	100									210				2.10						1.57			
38	100	24	45	190	80	78	83.5	38	45	52	24	18	3.0	190	M8	15	M8x30	34	1.8	1.33		0.99	
	92									230				2.02						1.52			
42	100	24	55	265	95	94	97	46	50	48	26	20	3.0	200	M8	15	M10x35	67	2.0	1.29		0.97	
	88									240				2.00						1.49			
48	100	24	60	310	105	104	108.5	51	56	44	28	21	3.5	212	M8	15	M12x40	115	2.1	1.26		0.94	
	84									252				1.95						1.47			
55	100	24	70	410	120	118	122	60	65	40	30	22	4.0	230	M10	15	M12x45	115	2.2	1.22	1	0.92	0.75
	140									270				1.92						1.44			
	180									310				2.62						1.96			
	200									330				2.97						2.22			
65	140	24	80	625	135	135	132.5	68	75	70	35	26	4.5	290	M10	15	M12x40	115	2.6	1.83		1.37	
	110									330				2.53						1.90			
75	140	40	90	1280	160	160	158	80	85	60	40	30	5.0	310	M10	20	M16x50	290	3.0	1.75		1.31	
	180									350				2.44						1.83			
	200									370				2.79						2.09			
	250									420				3.67						2.75			
90	180	40	110	2400	200	200	197	100	100	90	45	34	5.5	380	M12	20	M20x60	560	3.4	2.36		1.76	
	160									450				3.58						2.68			

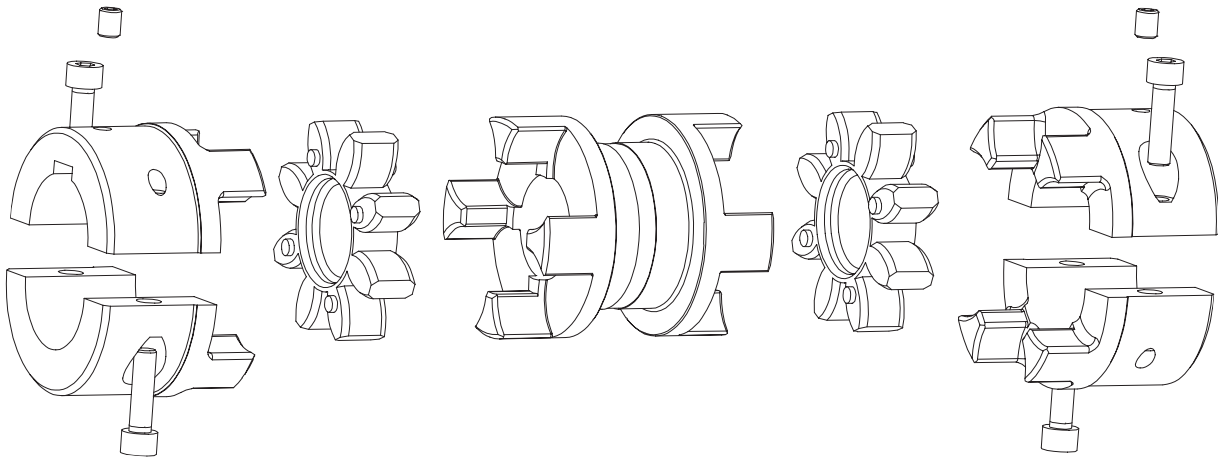
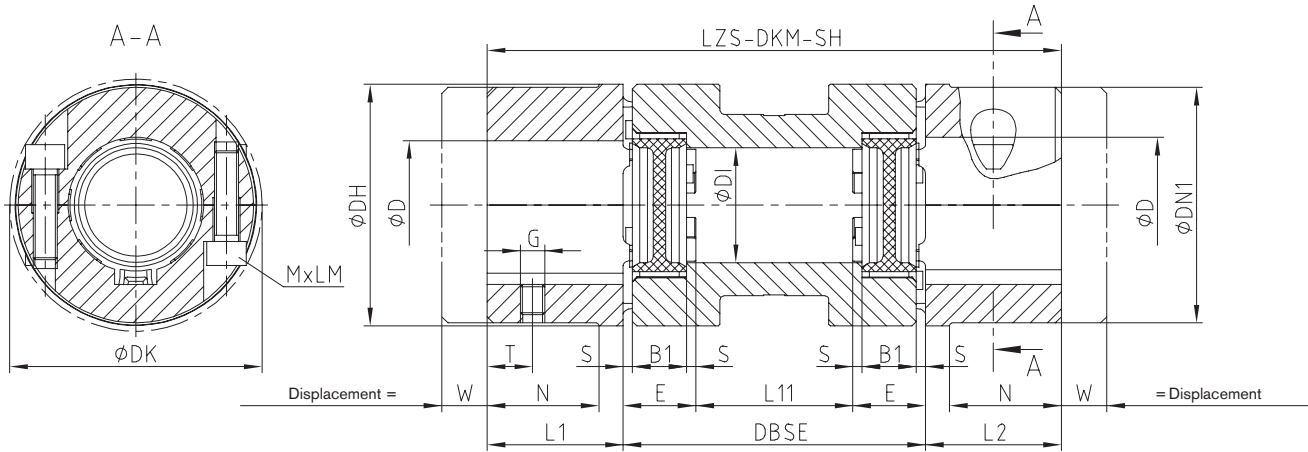
¹⁾ Maximum torque of the coupling TK max = rated torque of the coupling TK rated x 2.

²⁾ Mathematically transmittable torque with double-cardanic types acc. to 92 Sh-A GS using the higher quality spiders 98 Sh-A GS

³⁾ ROTEX-SPLIT hub material sizes 24 and 28 = sintered steel; hub material sizes 38 to 90 = EN-GJL

⁴⁾ Hub type 7.1 = SPLIT hub with feather keyway and thread for setscrews

Ordering example:	ROTEX® 38	ZS-DKM-SH	140	98 ShA-GS	7.1 ⁴⁾	Ø 38	7.1 ⁴⁾	Ø30
	Coupling size	Type	Shaft distance dimension DBSE	Spider hardness	Hub type	Finish bore	Hub type	Finish bore



Any questions? Please contact us.

Morskate Aandrijvingen BV

Oosterveldsingel 47A
7558 PJ Hengelo (Ov)
The Netherlands

NL
T +31 (0)74 - 760 11 11
info@morskateaanrijvingen.nl
www.morskateaanrijvingen.nl

DE
T +49 692 - 222 34 95
info@morskateantriebstechnik.de
www.morskateantriebstechnik.de

EN
T +31 (0)74 - 760 11 11
info@morskatedrivetechnology.com
www.morskatedrivetechnology.com