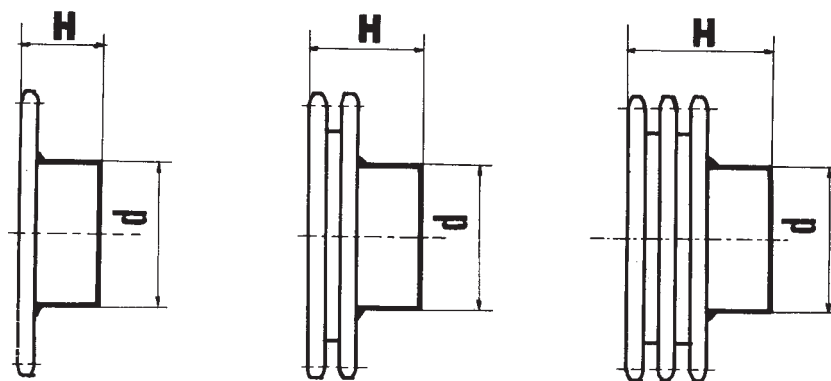


Dimensioni mozzi saldati
 Welded hus sizes
 Grösse der geschweissten Schrauben
 Dimension moyeux soudés
 Dimension de cubos soldados



PIGNONI SEMPLICI - SIMPLEX SPROCKETS - KETTENRÄDER SIMPLEX - PIGNONS SIMPLES - PIÑONES SIMPLE

DENTI Z	3/8" x 7/32"	1/2" x 5/16"	5/8" x 3/8"	3/4" x 7/16"	1" x 17,02	1"1/4 x 3/4"	1"1/2 x 1	1"3/4 x 1"1/4	2" x 1"1/4
	d x H	d x H	d x H	d x H	d x H	d x H	d x H	d x H	d x H
41÷45	80x32	90x40	100x40	110x56	125x70	150x70	160x90	180x90	180x100
46÷50	80x32	90x40	100x40	110x56	125x70	150x70	160x90	180x90	180x100
51÷57	80x32	90x40	100x40	110x56	125x70	150x80	160x100	180x100	180x100
58÷65	80x32	90x40	100x50	110x56	140x80	150x80	160x100	200x100	200x110
66÷125	80x32	90x40	100x50	110x56	140x80	150x90	160x100	200x100	200x110

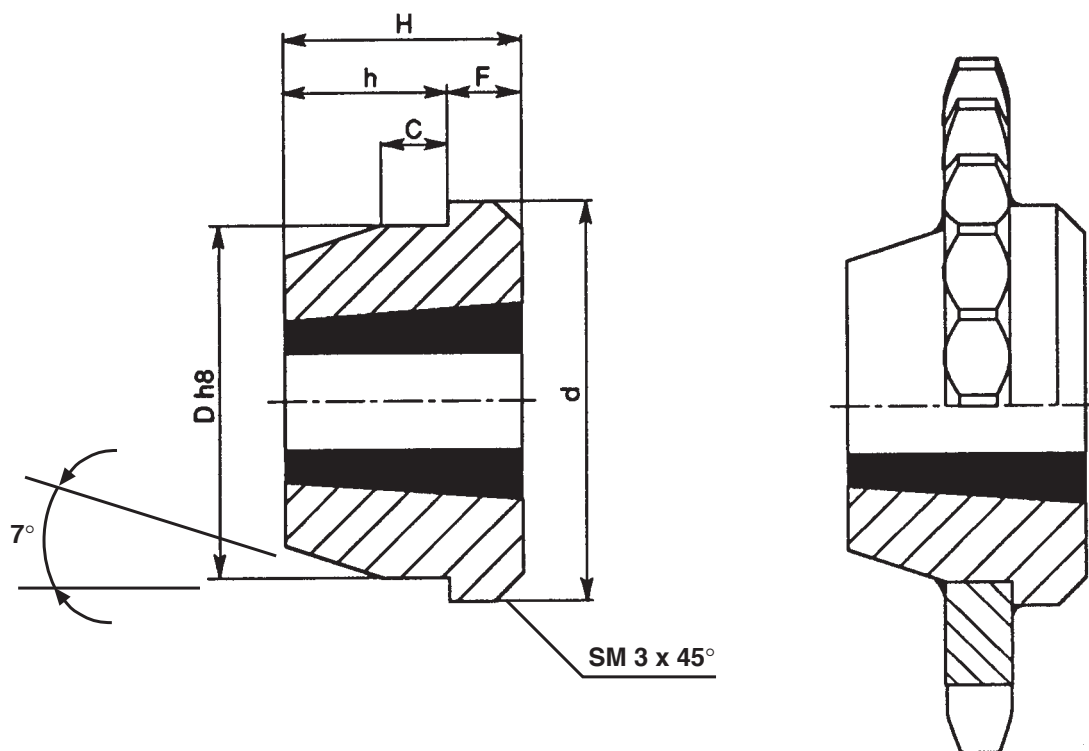
PIGNONI DOPPI - DUPLEX SPROCKETS - DUPLEX KETTENRÄDER - DUPLES PIGNONS - DOBLES PIÑONES

DENTI Z	3/8" x 7/32"	1/2" x 5/16"	5/8" x 3/8"	3/4" x 7/16"	1" x 17,02	1"1/4 x 3/4"	1"1/2 x 1	1"3/4 x 1"1/4	2" x 1"1/4
	d x H	d x H	d x H	d x H	d x H	d x H	d x H	d x H	d x H
41÷45	90x40	110x50	130x50	140x63	150x80	160x90	180x100	200x120	200x120
46÷50	90x40	110x50	130x50	140x63	150x80	160x90	180x100	220x120	200x120
51÷57	90x40	110x50	130x50	140x63	160x90	160x100	200x110	220x120	220x120
58÷65	90x40	110x50	130x63	140x63	160x90	160x100	200x110	220x130	250x130
66÷125	90x40	110x56	130x63	140x63	160x90	180x100	220x120	250x130	250x130

PIGNONI TRIPLI - TRIPLEX SPROCKETS - TRIPLEX KETTENRÄDER - PIGNONS TRIPLES - TRIPLES PIÑONES

DENTI Z	3/8" x 7/32"	1/2" x 5/16"	5/8" x 3/8"	3/4" x 7/16"	1" x 17,02	1"1/4 x 3/4"	1"1/2 x 1	1"3/4 x 1"1/4	2" x 1"1/4
	d x H	d x H	d x H	d x H	d x H	d x H	d x H	d x H	d x H
41÷45	90x56	110x60	130x60	140x70	160x100	180x110	200x150	200x180	200x180
46÷50	90x56	110x60	130x60	140x70	160x100	180x110	200x150	200x180	200x180
51÷57	90x56	110x60	130x60	140x70	180x110	180x125	220x150	220x180	250x180
58÷65	90x56	110x60	130x67	140x70	180x110	180x125	220x150	220x190	250x180
66÷125	90x56	110x60	130x67	140x70	180x110	200x140	250x150	250x190	250x180

Mozzi saldabili per bussola conica
Welding hubs for taper bushes
Geschweisste Schraubennaben für Spannbüchsen
Moyeux coniques a souder
Cubos soldados para casquillos cónicos



Materiale Fe 50 - Material St 50 - St 60 - Matière Fe 50 ± St 60 - Materiel Fe 50 ± St 60

TIPO BUSSOLA BUSH TYPE BUCHSE TYP MOYEURX TYPE CASQUILLOS TIPO	COD.	d	H	C	F	h	Dh8
1210	MSB1210	73	25	10	9	16	60
1215	MSB1215	76	38	11	16	22	60
1610	MSB1610	83	25	10	9	16	70
1615	MSB1615	83	38	11	16	22	70
2012	MSB2012	96	32	12	10	22	90
2517	MSB2517	127	45	13	19	26	110
3020	MSB3020	152	51	18	24	27	130
3030	MSB3030	152	76	19	25	51	130
3525	MSB3525	184	65	25	25	40	155
3535	MSB3535	184	89	25	32	57	155
4040	MSB4040	225	102	35	32	70	195
4545	MSB4545	254	114	40	38	76	220
5050	MSB5050	276	127	40	38	89	242

Any questions? Please contact us.

Morskate Aandrijvingen BV

Oosterveldsingel 47A
7558 PJ Hengelo (Ov)
The Netherlands

NL

T +31 (0)74 - 760 11 11
info@morskateaandrijvingen.nl
www.morskateaandrijvingen.nl

DE

T +49 692 - 222 34 95
info@morskateantriebstechnik.de
www.morskateantriebstechnik.de

EN

T +31 (0)74 - 760 11 11
info@morskatedrivetechnology.com
www.morskatedrivetechnology.com